



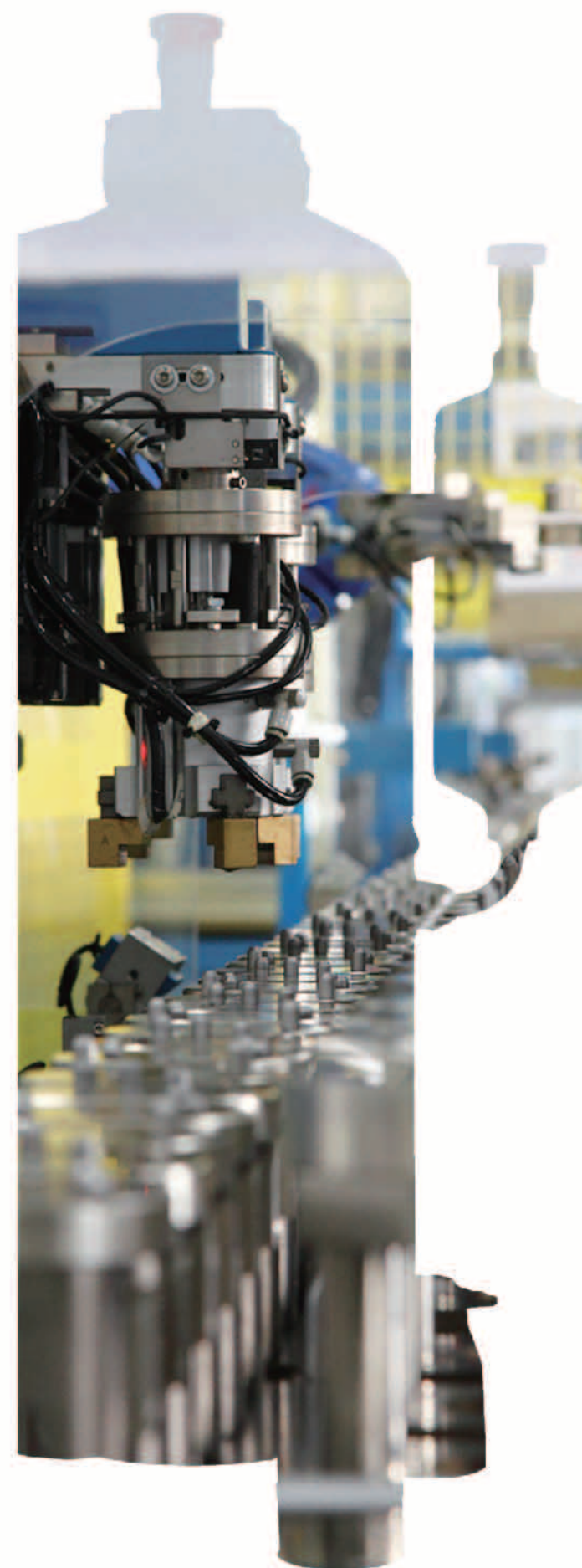
2020

家用、商用空调压缩机

COMPRESSOR FOR RAC&CAC

创新科技 卓越智造

CREATIVE TECHNOLOGY SMART MANUFACTURING



珠海凌达压缩机有限公司 ZHUHAI LANDA COMPRESSOR CO., LTD.
地址：广东省珠海市斗门区龙山工业区龙山大道1号
Add: No.1, Longshan Avenue, Longshan Industrial Zone, Doumen District, Zhuhai, Guangdong, China
销售热线：(国内DDD) 0756-5789988 / (海外HDD) 86-0756-8570372/8570359
Email邮箱：(国内Home-Sales) yf_deng@cn.gree.com / (海外Overseas-Sales) gyzpjyb@cn.gree.com

珠海凌达压缩机有限公司
ZHUHAILANDA COMPRESSOR CO.,LTD.

Contents

目录

01企业简介 Company Profile ---(03)

- 企业概况 Brief Introduction---(03)
- 企业荣誉 Company Honors---(04)
- 发展历程 Development Milestones---(05)

02产品介绍 Product Introduction---(07)

- 旋转压缩机 Rotary Compressor---(07)
 - ▶产品命名规则及测试工况 Naming Rules and Test Conditions---(07)
 - ▶家用空调压缩机 Compressor for Residential Air Conditioners---(10)
 - 家用空调压缩机型谱 Product Spectrum---(12)
 - ①环保冷媒压缩机 New Environmental Refrigerant Compressor---(13)
 - ②通用压缩机 Compressor for General-Purpose---(20)
 - ③T3中东向压缩机 T3 Compressor for Middle East Market---(31)
 - ④印度向压缩机 Compressor for Indian Market---(34)
 - ⑤宽电压压缩机 Wide Voltage Compressor---(36)
 - ▶商用空调压缩机 Compressor for Commercial Air Conditioners---(37)
 - ①轻商用压缩机 Light Commercial Compressor---(37)
 - ②风管机 Duct AC Compressor---(42)
- 压缩机标准尺寸示意图 Compressor Standard Size Diagram---(43)
- 压缩机包装 Packing of Compressor---(48)
- 压缩机标准附件 Compressor Standard Accessories---(49)

03技术服务 Technical Services ---(50)

企业概况 Brief Introduction

珠海凌达压缩机有限公司始建于1985年，是一家集研发、生产、销售、服务于一体的空调压缩机专业生产企业，同时也是我国家用空调压缩机行业较早且少有具有规模化、专业化的民族企业。2004年成为珠海格力电器股份有限公司全资控股子公司。

公司致力于打造引领压缩机行业的绿色环保高新技术企业，目前拥有五大生产基地，三个办事处，公司现有员工10000余人，其中技术管理人员1300余人，专职从事研发人员有600余人，压缩机年产能达6000万台。



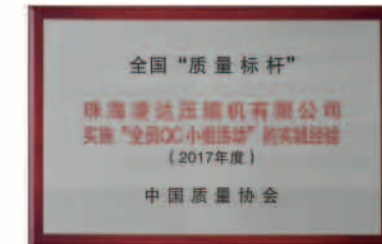
Founded in 1985, Zhuhai Landa Compressor Co., Ltd. is a large-scale, professional and domestic compressor manufacturer, mainly specializing in R&D, production, sales and services of the air-conditioner compressor. In 2004, Landa became a subsidiary wholly owned by Gree Electric Appliances.

Landa is committed to creating a high tech and green enterprise leading in the compressor industry. So far, the company has 5 production bases, 3 offices and over 10,000 employees, including 1300 technical and administrative staffs and more than 600 R&D technicians, with the annual capacity of 60 million units.

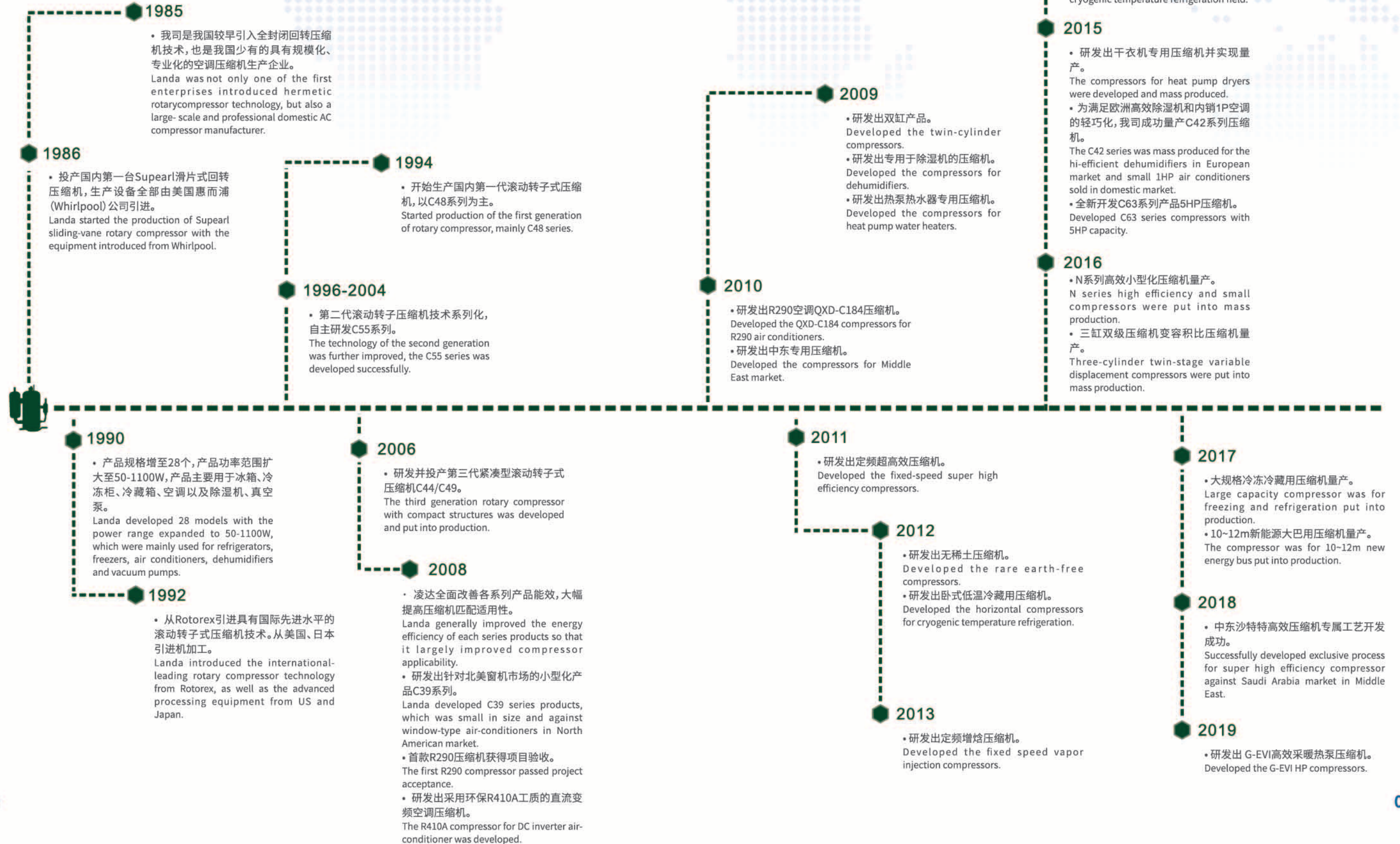
企业荣誉 Company Honors

在不断追求卓越的道路上，珠海凌达也得到社会各级政府及协会的认可，获得了包括“全国质量奖”、“国家知识产权示范企业”、“高新技术企业”、“全国质量标杆”、“中国轻工百强”“广东省政府质量奖”、“广东省重点企业技术中心”、“广东省工程技术研究中心”、“广东省知识产权示范企业”、“广东省名牌产品”、“珠海市市长质量奖”等多项荣誉。

On the way to make progress, Zhuhai Landa has been recognized by the government and associations at all levels with honors, such as The 18th China Quality Award, the National Intellectual Property Demonstration Enterprise, High and New-Technology Enterprise, National Quality Benchmarking Enterprise, Top 100 Enterprises in National Light Industry, Guangdong Governmental Quality Award, Guangdong Key Enterprise Technical Center, Guangdong Engineering Technology Center, Guangdong Intellectual Property Demonstration Enterprise, Guangdong Famous Brand, Zhuhai Mayor Quality Award, etc.

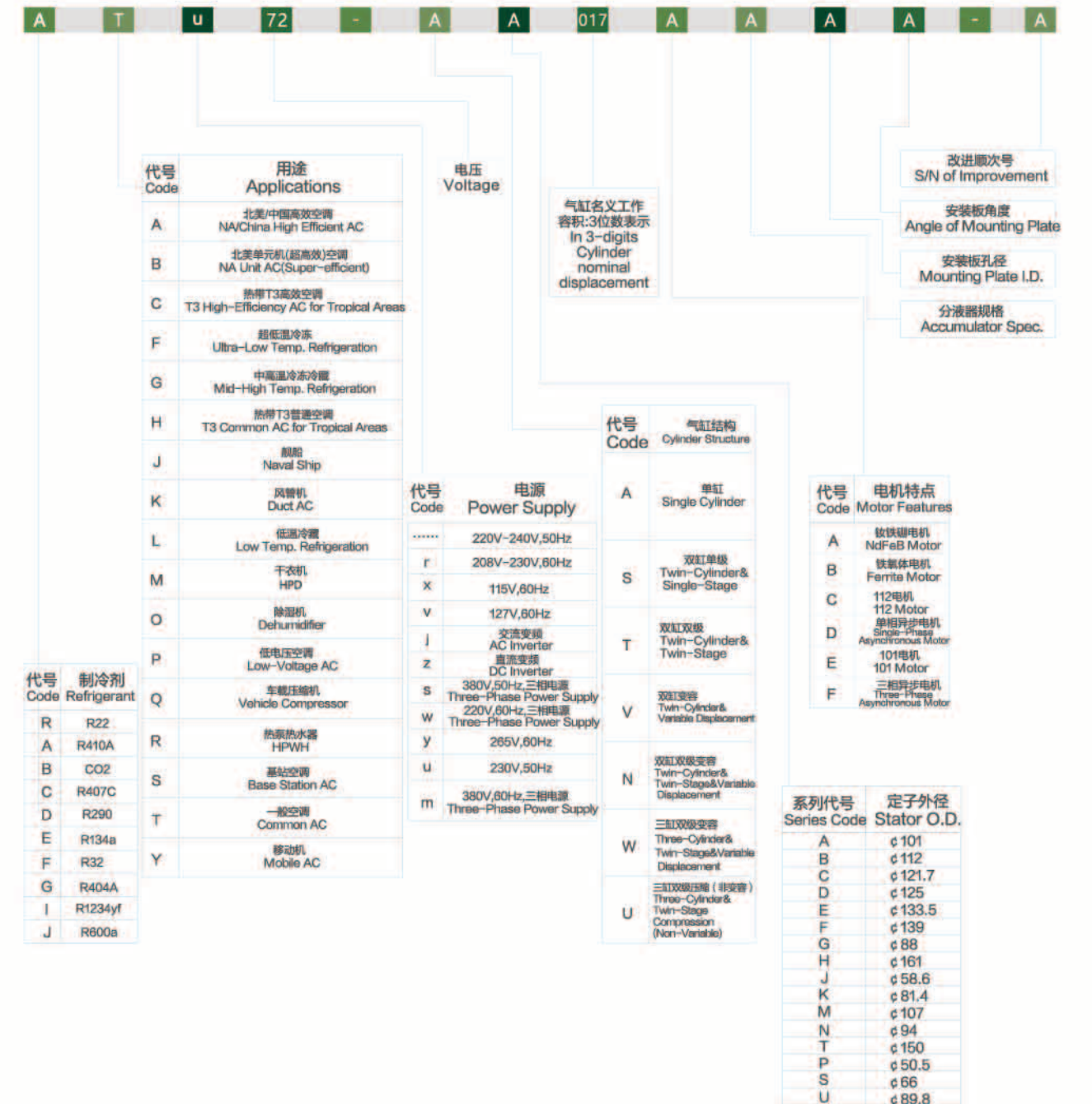
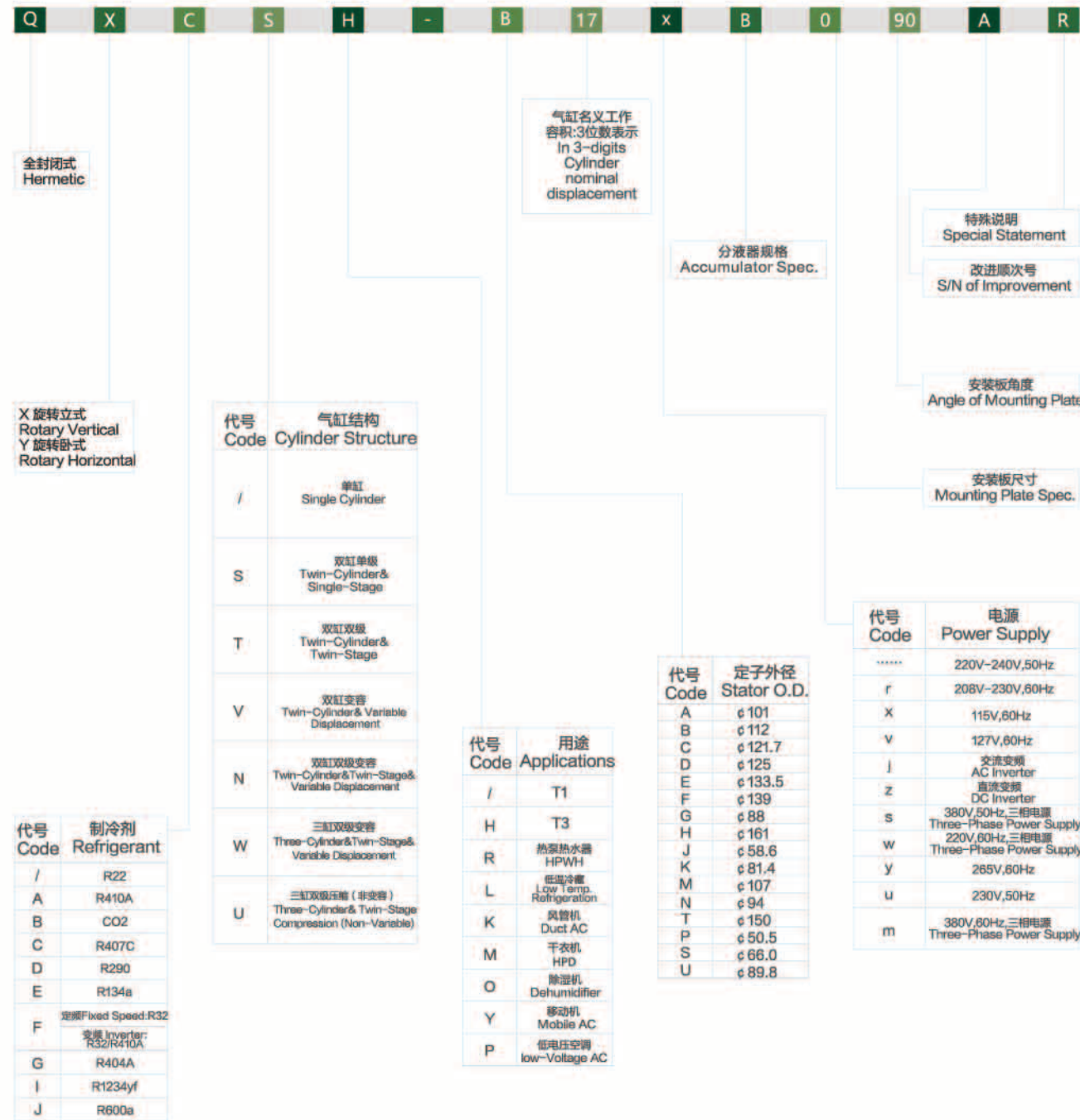


发展历程 Development Milestones



产品命名规则 Naming Rules

旋转压缩机 Rotary Compressor



旋转式压缩机测试工况 Test Conditions

适用工况 Applicable Working Conditions	冷凝温度°C Condensing Temp.	蒸发温度°C Evaporating Temp.	过冷度°C Supercooling Degree	吸气温度°C Suction Temp.	环境温度°C Ambient Temp.
ASHRAE/T	54.4	7.2	8.3	35	35
国标高效工况 GB HI-efficiency Working Condition	46	7.2	8.3	18.3	35
高效工况 Hi-efficiency Working Condition	45	7.2	8.3	18.3	35
北美高效工况 High-energy/efficiency Condition for North America	45	12	5	24	35
干衣机工况 HPD condition	70	25	9	35	35
冷冻冷藏工况 Freezing/Refrigeration Condition	54.4	-23.3	22.2	18.3	32.2
变频工况 Inverter Condition	46	10	5	18	35
变频高效工况 Inv. High Energy Efficiency Condition	49	10.5	8	24	35



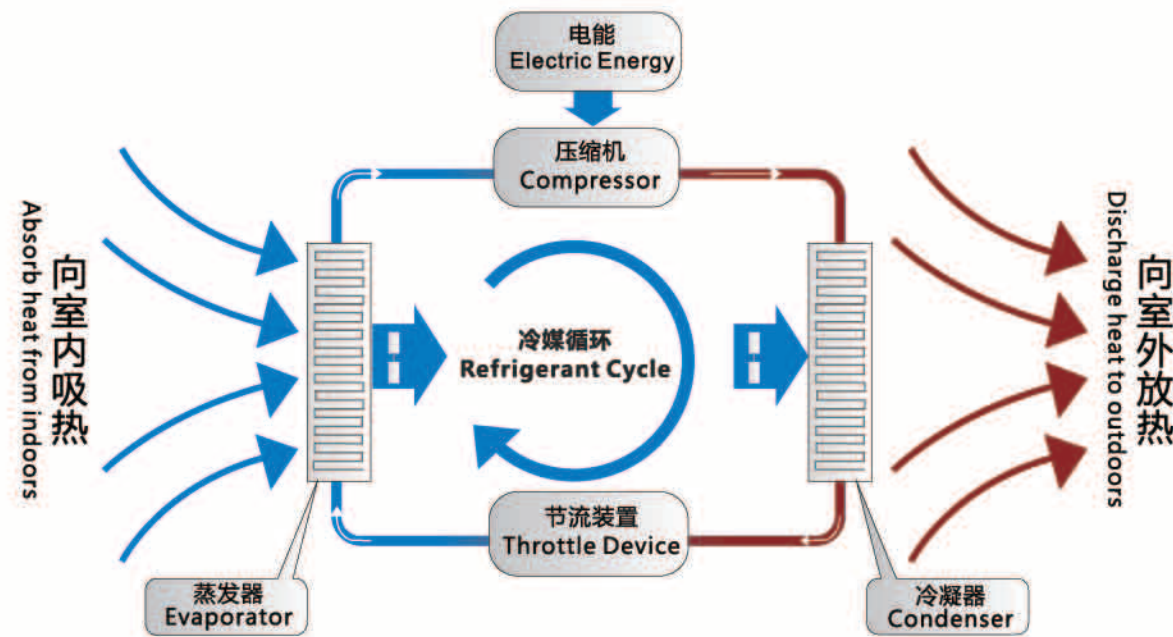
COMPRESSOR
FOR
RESIDENTIAL AIR CONDITIONERS
家用空调压缩机

家用空调压缩机制冷原理 Refrigeration Principle

低温低压气态冷媒进入压缩机，通过压缩机压缩后，形成高温高压气态冷媒；然后通过冷凝器，在轴流风扇的作用下，向室外放热，形成中温高压液态冷媒；然后通过膨胀阀（或毛细管），形成中温低压气液混合冷媒；最后通过蒸发器，在风扇作用下，从室内吸热，形成低温低压气态冷媒。

Low temp. and low pressure gas refrigerant enters the compressor to form a high temp. and high pressure refrigerant after compressed by the compressor; then, through the condenser, under the action of the axial flow fan, heat is released to the outside to make a medium-temp. high-pressure liquid refrigerant; after that, forming a medium-temp. low-pressure gas-liquid mixed refrigerant through the expansion valve(or capillary); and finally, the evaporator and fan absorb heat from the room to generate a low temp. and low pressure gas refrigerant.

房间空调原理图
Schematic Diagram of Room AC



家用空调压缩机型谱 Product Spectrum

定频压缩机 Fixed Speed Compressor											
产品类别 Product Category			压缩机能力范围 Capacity Range								
冷媒 Refrigerant	频率 Frequency	电压V Voltage	BTU/h	3412	13648	20472	27296	34120	40944	47768	54592
			W	1000	4000	6000	8000	10000	12000	14000	16000
R22	50Hz	220V-240V	(4500-30000 BTU/h)								
		380V	(15000-30000 BTU/h)								
		208V-230V & 127V	(5000-27000 BTU/h)								
R410A	50Hz	220V-240V	(3500-37000 BTU/h)								
	60Hz	208V-230V & 115V	(4500-40000 BTU/h)								
R134a	50Hz	220V-240V	(5000-11000 BTU/h)								
R1234yf	50Hz	220-240(230)V	(5000-11000 BTU/h)								
R513A	50Hz	220-240(230)V	(5000-11000 BTU/h)								
R32	50Hz	220V-240V	(3500-35000 BTU/h)								
		380V	(10000-30000 BTU/h)								
	60Hz	208-230V	(10000-32000 BTU/h)								
		260-350V	(10000-32000 BTU/h)								
R290	50Hz	115V	(5500-15000 BTU/h)								
		220V-240V & 220-240(230)V	(4000-17000 BTU/h)								

变频压缩机 Inverter Compressor											
产品类别 Product Category			压缩机能力范围 Capacity Range								
冷媒 Refrigerant	频率 Frequency	电压V Voltage	BTU/h	6825	17060	27296	37532	47768	58004	68240	78476
			W	2000	5000	8000	11000	14000	17000	20000	23000
R410A	15-120Hz	DC	(25000-53000 BTU/h)								
R32	15-120Hz	DC	(10000-58000 BTU/h)								
R290	15-120Hz	DC	(10780-17828 BTU/h)								

①新环保冷媒压缩机New Environmental Refrigerant Compressor

产品特点 Product Features

R32压缩机产品特点 Features of R32 Compressor	R32明星产品 QXFS-H446s R32 Star Product QXFS-H446s
<ul style="list-style-type: none"> ●环保冷媒: 臭氧层破坏潜能ODP=0 Eco-friendly refrigerant: ODP equals to zero. ●低碳冷媒: GWP=675, 为R410A冷媒的32% Low carbon refrigerant: GWP equals to 675, is 32% of R410A refrigerant. ●应用范围: 压缩机广泛应用于内销、泰国、澳洲空调 Application range: Widely applied to ACs in domestic, Thailand and Australian market. ●长寿命: 设计寿命达10年 Long service life: 10 years. ●高效能: 同系统配置由R410A压缩机改为R32压缩机, 制冷量提升10%能效提升5% High energy efficiency: R32 compressors replace R410A in the same AC systems, the refrigerating capacity and energy efficiency are increased by 10 percent and 5 percent respectively. 	<ul style="list-style-type: none"> ●应用范围: 国内首款批量R32冷媒5匹机 Application range: National first mass-produced 5HP ACs with R32 refrigerants. ●认可度高: 出货量超20万台 Large sales volume: Shipments exceed 200,000 units. ●低故障率: 售后故障率较涡旋机低80% Low failure rate: The failure rate is 80 percent lower than that of scroll compressor. ●专利产品: 具有16项专利技术 Patented product: Won 16 patents.
R290压缩机产品特点 Features of R290 Compressor	R290明星产品 QXD-A121 R290 Star Product QXD-A121
<ul style="list-style-type: none"> ●环保冷媒: 臭氧层破坏潜能ODP为零 Eco-friendly refrigerant: ODP equals to zero. ●绿色冷媒: GWP=0.03 Green refrigerant: GWP equals to 0.03. ●应用范围广: 可应用于空调, 移动机, 除湿机, 热泵热水器, 热泵干燥机, 制冷饮水机, 产品保鲜柜、展示柜等 Application range: ACs, mobile ACs, dehumidifiers, HPWH, HPD, refrigeration water dispensers, freezers and display cabinets.. ●低噪声/低振动: 噪声振动比R22/R410A低 Low noise/low vibration: Noise and vibration are lower than R22/R410A. ●高可靠性: 专属设计冷冻油及保护装置 High reliability: Unique refrigeration oil and protective devices. 	<ul style="list-style-type: none"> ●应用范围: 除湿机, 制冷饮水机 Application range: Dehumidifier, refrigeration water dispenser. ●认可度高: 出货量超10万台 Large sales volume: Shipments exceed 100,000 units. ●高效能: 小型化高效能, 适用于紧凑系统 High energy efficiency: Small and energy efficient, suitable for compact systems. ●低噪声/低振动: 超静音无察觉运行 Low noise/vibration: Ultra-quiet operation. ●政府支持: 联合国多边基金支持项目 Government support: Supported by UN Multilateral Fund.

压缩机产品规格 Compressor Spec.

R32 T1 [1φ]220-240V 50Hz

系列 Series	压缩机型号 Model	排量 Displ. (cc)	冷量 Capacity (Btu/h)	制冷量 Refrigerating Capacity (W)	功率 Power (W)	COP (W/W)	电容 Capacitor(μF)	测试工况 Test Conditions	压缩机高度 Compressor Height (mm)	排气管内径 Discharge Pipe ID (mm)	回气管内径 Suction Pipe ID (mm)
A	QXF-A040	4.0	3712	1088	293	3.71	15μF/450V	高能工况 Hi-efficiency Working Condition	199.0	8.2	9.7
	QXF-A042	4.2	4113	1205	313	3.85	15μF/450V	高能工况 Hi-efficiency Working Condition	199.0	8.2	9.7
	QXF-A050	5.0	4846	1420	369	3.84	15μF/450V	高能工况 Hi-efficiency Working Condition	206.0	6.2	9.7
	QXF-A058	5.8	5323	1560	420	3.71	20μF/450V	高能工况 Hi-efficiency Working Condition	215.0	8.2	9.7
	QXF-A062	6.2	6160	1805	475	3.80	20μF/450V	高能工况 Hi-efficiency Working Condition	206.0	8.2	9.7
	QXF-A066	6.6	6398	1875	491	3.82	20μF/450V	高能工况 Hi-efficiency Working Condition	215.0	8.2	9.7
	QXF-A071	7.1	7029	2060	560	3.68	25μF/450V	高能工况 Hi-efficiency Working Condition	215.0	6.2	9.7
	QXF-A083	8.3	8218	2408	634	3.80	25μF/450V	高能工况 Hi-efficiency Working Condition	224.0	8.2	9.7
M	QXF-M086	8.6	8308	2435	608	4.00	25μF/450V	高能工况 Hi-efficiency Working Condition	271.8	9.7	8.2
	QXF-M088	8.8	8632	2530	645	3.92	25μF/450V	高能工况 Hi-efficiency Working Condition	271.8	9.7	8.2
B	QXF-B092	9.2	8939	2620	647	4.05	25μF/450V	高能工况 Hi-efficiency Working Condition	266.5	9.7	12.2
	QXF-B098	9.8	9656	2830	690	4.10	25μF/450V	高能工况 Hi-efficiency Working Condition	261.5	9.7	12.2
	QXF-B102	10.2	9997	2930	718	4.08	30μF/450V	高能工况 Hi-efficiency Working Condition	266.5	9.7	12.2
	QXF-B117	11.7	11447	3355	822	4.08	30μF/450V	高能工况 Hi-efficiency Working Condition	266.5	9.7	12.2
	QXF-B120	12.0	11686	3425	835	4.10	30μF/450V	高能工况 Hi-efficiency Working Condition	266.5	9.7	12.2
	QXF-B129	12.9	12624	3700	911	4.06	30μF/450V	高能工况 Hi-efficiency Working Condition	266.5	9.7	12.2
	QXF-B133	13.3	13290	3895	955	4.08	35μF/450V	高能工况 Hi-efficiency Working Condition	266.5	9.7	12.2
C	QXF-C150	15.0	14740	4320	1041	4.15	30μF/450V	高能工况 Hi-efficiency Working Condition	293.4	9.7	12.2
D	QXF-D17	17.0	16738	4906	1174	4.18	45μF/450V	高能工况 Hi-efficiency Working Condition	319.5	9.7	16.2
	QXF-D175	17.5	17231	5050	1208	4.18	45μF/450V	高能工况 Hi-efficiency Working Condition	319.5	9.7	16.2

①新环保冷媒压缩机New Environmental Refrigerant Compressor

R32 T1 [1φ]220-240V 50Hz

系列 Series	压缩机型号 Model	排量 Displ.(cc)	冷量 Capacity (Btu/h)	制冷量 Refrigerating Capacity (W)	功率 Power (W)	COP (W/W)	电容 Capacitor(μF)	测试工况 Test Conditions	压缩机高度 Compressor Height (mm)	排气管内径 Discharge Pipe ID (mm)	回气管内径 Suction Pipe ID (mm)
D	QXF-D18	18.0	17723	5194	1243	4.18	45uF/450V	高能效工况 Hi-efficiency Working Condition	319.5	9.7	16.2
	QXF-D184	18.4	18118	5310	1270	4.18	45uF/450V	高能效工况 Hi-efficiency Working Condition	319.5	9.7	16.2
	QXF-D193	19.3	19005	5570	1333	4.18	50uF/450V	高能效工况 Hi-efficiency Working Condition	319.5	9.7	16.2
E	QXF-E193	19.3	19175	5620	1338	4.20	45uF/450V	高能效工况 Hi-efficiency Working Condition	312.5	9.7	16.2
	QXF-E20	20.0	19755	5790	1385	4.18	55uF/450V	高能效工况 Hi-efficiency Working Condition	317.5	9.7	16.2
	QXF-E21	21.0	20643	6050	1476	4.10	55uF/450V	高能效工况 Hi-efficiency Working Condition	312.5	9.7	16.2
	QXF-E22	22.0	21649	6345	1548	4.10	60uF/450V	高能效工况 Hi-efficiency Working Condition	321.5	9.7	16.2
	QXF-E232	23.2	22808	6685	1630	4.10	60uF/450V	高能效工况 Hi-efficiency Working Condition	321.5	9.7	16.2
	QXF-E24	24.0	23594	6915	1666	4.15	60uF/450V	高能效工况 Hi-efficiency Working Condition	321.5	9.7	16.2
	QXF-E25	25.0	24635	7220	1740	4.15	60uF/450V	高能效工况 Hi-efficiency Working Condition	337.5	9.7	16.2
	QXF-E27	27.0	26560	7784	1876	4.15	60uF/450V	高能效工况 Hi-efficiency Working Condition	337.5	9.7	16.2
	SE	QXFS-E270	27.0	26272	7700	1878	4.10	60uF/450V	高能效工况 Hi-efficiency Working Condition	378.0	9.7
QXFS-E280		28.0	27228	7980	1945	4.10	60uF/450V	高能效工况 Hi-efficiency Working Condition	378.0	9.7	16.2
SF	QXFS-F265	26.5	26494	7765	1880	4.13	50uF/450V	高能效工况 Hi-efficiency Working Condition	366.2	9.7	16.2
	QXFS-F275	27.5	27494	8058	1951	4.13	50uF/450V	高能效工况 Hi-efficiency Working Condition	367.2	9.7	16.2
	QXFS-F325	32.5	32073	9400	2350	4.00	60uF/450V	高能效工况 Hi-efficiency Working Condition	375.2	9.7	16.2
	QXFS-F356	35.6	34973	10250	2615	3.92	60uF/450V	高能效工况 Hi-efficiency Working Condition	375.2	9.7	16.2

R32 T1 [1φ]115V 60Hz

系列 Series	压缩机型号 Model	排量 Displ.(cc)	冷量 Capacity (Btu/h)	制冷量 Refrigerating Capacity (W)	功率 Power (W)	COP (W/W)	电容 Capacitor(μF)	测试工况 Test Conditions	压缩机高度 Compressor Height (mm)	排气管内径 Discharge Pipe ID (mm)	回气管内径 Suction Pipe ID (mm)
G	QXFG042x	4.2	5662	1659	366	4.52	35uF/250V	北美高能效 Hi-energy efficiency Condition for North America	192.0	6.2	9.7
N	※QXF-N043x	4.3	5870	1720	370	4.65	35uF/250V	北美高能效 Hi-energy efficiency Condition for North America	213.0	8.2	9.7
	※QXF-N052x	5.2	7167	2100	450	4.67	35uF/250V	北美高能效 Hi-energy efficiency Condition for North America	213.0	8.2	9.7
A	QXF-A050x	5.0	6109	1790	438	4.09	45uF/250V	高能效工况 Hi-efficiency Working Condition	206.0	8.2	9.7
	QXF-A052x	5.2	6099	1787	455	4.00	45uF/250V	高能效工况 Hi-efficiency Working Condition	206.0	8.2	9.7
	QXF-A053x	5.3	6263	1835	465	3.95	35uF/250V	高能效工况 Hi-efficiency Working Condition	206.0	8.2	9.7
	QXF-A066x	6.6	7882	2310	570	4.05	50uF/250V	高能效工况 Hi-efficiency Working Condition	220.0	8.2	9.7
	QXF-A068x	6.9	8155	2390	585	4.09	50uF/250V	高能效工况 Hi-efficiency Working Condition	220.0	8.2	9.7
	QXF-A081x	8.1	9648	2827	704	4.02	55uF/250V	高能效工况 Hi-efficiency Working Condition	219.0	8.2	9.7
	QXF-A083x	8.3	9792	2870	705	4.07	55uF/250V	高能效工况 Hi-efficiency Working Condition	224.0	8.2	9.7
	※QXF-B092x	9.2	10918	3200	790	4.05	60uF/250V	高能效工况 Hi-efficiency Working Condition	273.0	8.2	9.7
	QXF-B098x	10.0	11737	3440	849	4.05	60uF/250V	高能效工况 Hi-efficiency Working Condition	260.5	8.2	12.2
	※QXF-B102x	10.2	11942	3500	856	4.09	60uF/250V	高能效工况 Hi-efficiency Working Condition	261.5	9.7	12.2
B	※QXF-B104x	10.4	12283	3600	878	4.10	60uF/250V	高能效工况 Hi-efficiency Working Condition	266.5	9.7	12.2
	※QXF-B106x	10.6	12693	3720	907	4.10	60uF/250V	高能效工况 Hi-efficiency Working Condition	266.5	9.7	12.2
	※QXF-B109x	10.9	13102	3840	946	4.06	60uF/250V	高能效工况 Hi-efficiency Working Condition	266.5	9.7	12.2
	QXF-B117x	11.7	13904	4075	1006	4.05	60uF/250V	高能效工况 Hi-efficiency Working Condition	266.5	9.7	12.2

①新环保冷媒压缩机New Environmental Refrigerant Compressor

R32 T1 [1φ]208-230V 60Hz

系列 Series	压缩机型号 Model	排量 Displ.(cc)	冷量 Capacity (Btu/h)	制冷量 Refrigerating Capacity (W)	功率 Power (W)	COP (W/W)	电容 Capacitor(μF)	测试工况 Test Conditions	压缩机高度 Compressor Height (mm)	排气管内径 Discharge Pipe ID (mm)	回气管内径 Suction Pipe ID (mm)
B	※QXF-B088r	8.8	10441	3060	754	4.06	25μF/450V	高效工况 Hi-efficiency Working Condition	261.5	9.7	12.2

R32 T1 [3φ]380V 50Hz

系列 Series	压缩机型号 Model	排量 Displ.(cc)	冷量 Capacity (Btu/h)	制冷量 Refrigerating Capacity (W)	功率 Power (W)	COP (W/W)	电容 Capacitor(μF)	测试工况 Test Conditions	压缩机高度 Compressor Height (mm)	排气管内径 Discharge Pipe ID (mm)	回气管内径 Suction Pipe ID (mm)
SF	QXFS-F265s	26.5	26443	7750	1824	4.25	/	高效工况 Hi-efficiency Working Condition	378.2	9.7	16.2
	※QXFS-F286s	28.6	10858	3182	2020	4.15	/	高效工况 Hi-efficiency Working Condition	367.2	9.7	16.2
	QXFS-F41s	41.0	40944	12000	2965	4.05	/	高效工况 Hi-efficiency Working Condition	380.2	9.7	16.2
	QXFS-F275s	27.5	27441	8042	1892	4.25	/	高效工况 Hi-efficiency Working Condition	367.2	9.7	16.2

R32 T1 DC Inverter

系列 Series	压缩机型号 Model	排量 Displ.(cc)	冷量 Capacity (Btu/h)	制冷量 Refrigerating Capacity (W)	功率 Power (W)	COP (W/W)	测试频率 Test Frequency	测试工况 Test Conditions	压缩机高度 Compressor Height (mm)	排气管内径 Discharge Pipe ID (mm)	回气管内径 Suction Pipe ID (mm)
A	QXF-A079zC190	7.9	10048	2945	768	3.83	60Hz	高效工况 Hi-efficiency Working Condition	247	8.2	9.7
	QXF-A139zH130AA	13.9	16622	4871.5	1292.7	3.77	60Hz	高效工况 Hi-efficiency Working Condition	282	6.2	9.7
B	※QXFS-B226zX090CA	22.52	27398	8030	2002	4.01	60Hz	高效工况 Hi-efficiency Working Condition	330.7	9.7	16.2
D	※QXFS-D25zX090K	25	30810	9030	2250	4.01	60Hz	高效工况 Hi-efficiency Working Condition	365.5	9.7	16.2

备注: 型号带“※”代表开发中, “▲”代表推荐机型。
 Note: A model with “※” is under development.
 A model with “▲” is the recommended model.

R290 T1 [1φ]220-240V 50Hz

系列 Series	压缩机型号 Model	排量 Displ.(cc)	冷量 Capacity (Btu/h)	制冷量 Refrigerating Capacity (W)	功率 Power (W)	COP (W/W)	电容 Capacitor(μF)	测试工况 Test Conditions	压缩机高度 Compressor Height (mm)	排气管内径 Discharge Pipe ID (mm)	回气管内径 Suction Pipe ID (mm)	
N	※QXD-N081	8.1	4198	1230	378	3.25	20μF/450V	ASHRAE/T	213.0	8.2	9.7	
	QXD-N115	11.5	6102	1788	550	3.25	20μF/450V	ASHRAE/T	230.5	8.2	9.7	
	※QXD-N121	12.1	6365	1865	575	3.24	20μF/450V	ASHRAE/T	230.5	8.2	9.7	
A	QXD-A081	8.1	4147	1215	375	3.24	15μF/450V	ASHRAE/T	203.0	6.2	9.7	
	QXD-A088	8.8	4625	1355	430	3.15	15μF/450V	ASHRAE/T	203.0	8.2	9.7	
	QXD-A121	12.1	6451	1890	573	3.30	20μF/450V	ASHRAE/T	224.0	6.2	9.7	
	※QXD-A134	13.4	7150	2095	635	3.30	25μF/450V	ASHRAE/T	224.0	6.2	9.7	
	QXD-B136	13.6	7326	2147	622	3.45	25μF/450V	ASHRAE/T	262.0	8.2	9.7	
B	QXD-B150	15.0	8121	2380	680	3.50	25μF/450V	ASHRAE/T	262.0	8.2	9.7	
	QXD-B155	15.5	8206	2405	701	3.43	25μF/450V	ASHRAE/T	262.0	8.2	12.2	
	QXD-B160	16.0	8462	2480	729	3.40	25μF/450V	ASHRAE/T	262.0	8.2	9.7	
	※QXD-B172	17.2	8939	2620	771	3.40	25μF/450V	ASHRAE/T	275.5	9.7	12.2	
	QXD-B184(J)	18.4	9554	2800	851	3.29	30μF/450V	ASHRAE/T	274.0	8.2	12.2	
	※QXD-B212(J)	21.2	11140	3265	1002	3.26	35μF/450V	ASHRAE/T	274.0	8.2	12.2	
	QXD-B222	24.0	11430	3350	1000	3.35	30μF/450V	ASHRAE/T	278.0	8.2	9.7	
	QXD-B240	24.0	12488	3660	1109	3.30	35μF/450V	ASHRAE/T	288.0	8.2	12.2	
	C	QXD-C238	23.8	12287	3650	1070	3.41	35μF/450V	ASHRAE/T	288.0	9.7	12.2

R290 DC Inverter

系列 Series	压缩机型号 Model	排量 Displ.(cc)	冷量 Capacity (Btu/h)	制冷量 Refrigerating Capacity (W)	功率 Power (W)	COP (W/W)	测试频率 Test Frequency	测试工况 Test Conditions	压缩机高度 Compressor Height (mm)	排气管内径 Discharge Pipe ID (mm)	回气管内径 Suction Pipe ID (mm)
N	※DTz-SN150AXBA	15	10781	3160	710	4.45	60Hz	变频工况 Inverter Condition	238	8.2	12.87
	※DTz-SN180AXBA	18	13187	3865	820	4.72	60Hz	变频工况 Inverter Condition	251.3	8.2	12.87
M	▲DTz-SM240AXBA	24	17828	5225	1088	4.8	60Hz	变频工况 Inverter Condition	240	8.2	12.87

①新环保冷媒压缩机New Environmental Refrigerant Compressor

R1234yf 220~240(230)V50Hz

系列 Series	压缩机型号 Model	排量 Displ.(cc)	冷量 Capacity (Btu/h)	制冷量 Refrigerating Capacity (W)	功率 Power (W)	COP (W/W)	电容 Capactor(μF)	测试工况 Test Conditions	压缩机高度 Compressor Height (mm)	排气管内径 Discharge Pipe ID (mm)	回气管内径 Suction Pipe ID (mm)
B	QXIR-B122C130	12.2	5000	1465	447	3.28	25	ASHRAE/T	258.5	9.7	12.2
D	※QXIR-D253F050	25.3	10116	2965	896	3.31	50	ASHRAE/T	291	9.7	12.2

R134a 220~240(230)V50Hz

系列 Series	压缩机型号 Model	排量 Displ.(cc)	冷量 Capacity (Btu/h)	制冷量 Refrigerating Capacity (W)	功率 Power (W)	COP (W/W)	电容 Capactor(μF)	测试工况 Test Conditions	压缩机高度 Compressor Height (mm)	排气管内径 Discharge Pipe ID (mm)	回气管内径 Suction Pipe ID (mm)
B	QXIR-B122C130	12.2	5170	1515	446	3.39	25	ASHRAE/T	258.5	9.7	12.2
D	※QXIR-D253F050	25.3	10304	3020	905	3.34	50	ASHRAE/T	291	9.7	12.2

R513A 220~240(230)V50Hz

系列 Series	压缩机型号 Model	排量 Displ.(cc)	冷量 Capacity (Btu/h)	制冷量 Refrigerating Capacity (W)	功率 Power (W)	COP (W/W)	电容 Capactor(μF)	测试工况 Test Conditions	压缩机高度 Compressor Height (mm)	排气管内径 Discharge Pipe ID (mm)	回气管内径 Suction Pipe ID (mm)
B	QXIR-B122C130	12.2	5270	1545	467	3.33	25	ASHRAE/T	258.5	9.7	12.2
D	※QXIR-D253F050	25.3	10575	3100	935	3.31	50	ASHRAE/T	291	9.7	12.2

备注: 型号带“※”,代表开发中。“▲”代表推荐机型。
QXIR-B122C130、QXIR-D253F050可通用R1234yf、R134a、R513A三种冷媒。

Note: A model with “※” is under development.
A model with “▲” is the recommended model.

②通用压缩机 Compressor for General-Purpose

压缩机产品规格 Compressor Spec.

R410A DC INV 变频压缩机 (Inverter compressor)

系列 Series	压缩机型号 Model	排量 Displ.(cc)	冷量 Capacity (Btu/h)	制冷量 Refrigerating Capacity (W)	功率 Power (W)	COP (W/W)	测试频率 Test Frequency	测试工况 Test Conditions	压缩机高度 Compressor Height (mm)	排气管内径 Discharge Pipe ID (mm)	回气管内径 Suction Pipe ID (mm)
N	ATz-AN066	6.6	8052	2360	574	4.11	60Hz	变频工况 Inverter Condition	197	8.2	9.7
	ATz-AN075	7.5	9144	2680	652	4.11	60Hz	变频工况 Inverter Condition	197	8.2	9.7
	ATz-AN088	8.8	10731	3145	745	4.22	60Hz	变频工况 Inverter Condition	229.5	8.2	9.7
	ATz-AN102	10.2	12454	3650	875	4.17	60Hz	变频工况 Inverter Condition	211.5	8.2	9.7
	ATz-AN108	10.8	13170	3860	928	4.16	60Hz	变频工况 Inverter Condition	211.5	8.2	9.7
	ATz-SN130	13.0	15939	4671	1085	4.31	60Hz	变频工况 Inverter Condition	248	8.2	12.87
	ATz-SN130-A	13.0	15939	4671	1077	4.34	60Hz	变频工况 Inverter Condition	248	8.2	12.87
	ATz-SN150	15.0	18391	5390	1252	4.31	60Hz	变频工况 Inverter Condition	258	8.2	12.87
	ATz-SN150-A	15.0	18391	5390	1243	4.34	60Hz	变频工况 Inverter Condition	258	8.2	12.87
	A	ATz-AA098	9.8	12010	3520	845	4.17	60Hz	变频工况 Inverter Condition	207	8.2
ATz-AA108-B		10.8	13409	3930	910	4.32	60Hz	变频工况 Inverter Condition	207	8.2	12.87
M	ATz-AM102	10.2	12522	3670	850	4.32	60Hz	变频工况 Inverter Condition	198	8.2	12.87
	ATz-AM102-B	10.2	12522	3670	840	4.37	60Hz	变频工况 Inverter Condition	198	8.2	12.87
	ATz-AM102-D	10.2	12522	3670	832	4.41	60Hz	变频工况 Inverter Condition	198	8.2	12.87
SM	ATz-SM141	14.1	17128	5020	1200	4.18	60Hz	变频工况 Inverter Condition	235	8.2	12.87
	ATz-SM151-B	15.1	18595	5450	1255	4.34	60Hz	变频工况 Inverter Condition	235	8.2	12.87
SB	ATz-SB238-A	23.8	29684	8700	2030	4.29	60Hz	变频工况 Inverter Condition	303.4	9.7	16.2
	ATz-SB238	23.8	29616	8680	2042	4.25	60Hz	变频工况 Inverter Condition	303.4	9.7	16.2
SD	ATz-SD32	32.1	39647	11620	2720	4.27	60Hz	变频工况 Inverter Condition	318	9.7	16.2

备注: 型号带“※”,代表开发中。“▲”代表推荐机型。
Note: A model with “※” is under development.
A model with “▲” is the recommended model.

②通用压缩机 Compressor for General-Purpose

R410A DC INV 变频压缩机 (Inverter compressor)

系列 Series	压缩机型号 Model	排量 Displ.(cc)	冷量 Capacity (Btu/h)	制冷量 Refrigerating Capacity (W)	功率 Power (W)	COP (W/W)	测试频率 Test Frequency	测试工况 Test Conditions	压缩机高度 Compressor Height (mm)	排气管内径 Discharge Pipe ID (mm)	回气管内径 Suction Pipe ID (mm)
SF	ATz-SF420	42.0	52647	15430	3590	4.30	60Hz	变频工况 Inverter Condition	342	12.2	16.2

R32/R410A T1 DC Inverter

系列 Series	压缩机型号 Model	排量 Displ.(cc)	冷量 Capacity (Btu/h)	制冷量 Refrigerating Capacity (W)	功率 Power (W)	COP (W/W)	测试频率 Test Frequency	测试工况 Test Conditions	压缩机高度 Compressor Height (mm)	排气管内径 Discharge Pipe ID (mm)	回气管内径 Suction Pipe ID (mm)
A	QXF-A108zH190AA	10.8	13119	3845	995	3.86	60Hz	国标高效工况 GB Hi-efficiency Working Condition	358	8.2±0.06	9.7±0.05
B	※QXF-B103zF190A	10.3	12283	3600	800	4.5	60Hz	国标高效工况 GB Hi-efficiency Working Condition	268.3	8.2±0.06	9.7±0.05
	※QXF-B138zF030A	13.8	17742	5200	1350	3.85	60Hz	国标高效工况 GB Hi-efficiency Working Condition	324	9.7±0.06	12.2±0.05
	※QXFS-B148zX030C	14.8	18868	5530	1380	4	60Hz	国标高效工况 GB Hi-efficiency Working Condition	284.3	9.7±0.06	12.2±0.05
	QXFS-B181zX030AA	18	21376	6265	1610	3.89	60Hz	国标高效工况 GB Hi-efficiency Working Condition	304.3	9.7±0.06	16.2±0.05

R410A T1 DC Inverter

系列 Series	压缩机型号 Model	排量 Displ.(cc)	冷量 Capacity (Btu/h)	制冷量 Refrigerating Capacity (W)	功率 Power (W)	COP (W/W)	测试频率 Test Frequency	测试工况 Test Conditions	压缩机高度 Compressor Height (mm)	排气管内径 Discharge Pipe ID (mm)	回气管内径 Suction Pipe ID (mm)
D	QXAS-D32zX090B	32.1	34325	10060	3360	2.99	60Hz	ASHRAE/T	377	9.7±0.06	16.2±0.05
F	QXAS-F428zX450L	42.8	46062	13500	4580	2.85	60Hz	ASHRAE/T	396.5	12.2±0.06	16.2±0.05

R32 DC INV 变频压缩机 (Inverter compressor)

系列 Series	压缩机型号 Model	排量 Displ.(cc)	冷量 Capacity (Btu/h)	制冷量 Refrigerating Capacity (W)	功率 Power (W)	COP (W/W)	测试频率 Test Frequency	测试工况 Test Conditions	压缩机高度 Compressor Height (mm)	排气管内径 Discharge Pipe ID (mm)	回气管内径 Suction Pipe ID (mm)	
N	FTz-AN066	6.6	8564	2510	580	4.33	60Hz	变频工况 Inverter Condition	197	8.2	9.7	
	FTz-AN075	7.5	9844	2885	667	4.33	60Hz	变频工况 Inverter Condition	197	8.2	9.7	
	FTz-AN075-A	7.5	9844	2885	660	4.37	60Hz	变频工况 Inverter Condition	197	8.2	9.7	
	FTz-AN088	8.8	11567	3390	776	4.37	60Hz	变频工况 Inverter Condition	229.5	8.2	9.7	
	FTz-AN102	10.2	13443	3940	915	4.31	60Hz	变频工况 Inverter Condition	211.5	8.2	9.7	
	FTz-AN108	10.8	14228	4170	965	4.32	60Hz	变频工况 Inverter Condition	211.5	8.2	9.7	
	※FTz-SN110	11.0	14365	4210	950	4.43	60Hz	变频工况 Inverter Condition	248	8.2	12.87	
	FTz-SN130	13.0	17094	5010	1110	4.51	60Hz	变频工况 Inverter Condition	248	8.2	12.87	
	FTz-SN130-A	13.0	17094	5010	1118	4.48	60Hz	变频工况 Inverter Condition	248	8.2	12.87	
	FTz-SN150	15.0	19807	5805	1296	4.48	60Hz	变频工况 Inverter Condition	258	8.2	12.87	
	FTz-SN150-A	15.0	19807	5805	1285	4.52	60Hz	变频工况 Inverter Condition	258	8.2	12.87	
	A	FTz-AA098-B	9.8	13068	3830	855	4.48	60Hz	变频工况 Inverter Condition	207	8.2	12.87
		FTz-AA108-B	10.8	14245	4175	937	4.46	60Hz	变频工况 Inverter Condition	207	8.2	12.87
	M	FTz-AM088	8.8	11601	3400	773	4.40	60Hz	变频工况 Inverter Condition	198	8.2	12.87
FTz-AM096		9.6	12795	3750	840	4.46	60Hz	变频工况 Inverter Condition	198	8.2	12.87	
FTz-AM096-D		9.6	12829	3760	822	4.57	60Hz	变频工况 Inverter Condition	198	8.2	12.87	
FTz-AM102		10.2	13614	3990	900	4.43	60Hz	变频工况 Inverter Condition	198	8.2	12.87	
FTz-AM102-B		10.2	13648	4000	880	4.55	60Hz	变频工况 Inverter Condition	198	8.2	12.87	
FTz-AM102-D		10.2	13648	4000	870	4.60	60Hz	变频工况 Inverter Condition	198	8.2	12.87	
※FTz-AM130		13.0	17538	5140	1130	4.55	60Hz	变频工况 Inverter Condition	215	8.2	12.87	

②通用压缩机 Compressor for General-Purpose

R32 DC INV 变频压缩机 (Inverter compressor)

系列 Series	压缩机型号 Model	排量 Displ.(cc)	冷量 Capacity (Btu/h)	制冷量 Refrigerating Capacity (W)	功率 Power (W)	COP (W/W)	测试频率 Test Frequency	测试工况 Test Conditions	压缩机高度 Compressor Height (mm)	排气管内径 Discharge Pipe ID (mm)	回气管内径 Suction Pipe ID (mm)
M	※FTz-AM142	14.2	19141	5610	1245	4.51	60Hz	变频工况 Inverter Condition	215	8.2	12.87
	※FTz-SM110	11.0	14416	4225	965	4.38	60Hz	变频工况 Inverter Condition	235	8.2	12.87
SM	FTz-SM130	13.0	17060	5000	1105	4.52	60Hz	变频工况 Inverter Condition	235	8.2	12.87
	FTz-SM141	14.1	18595	5450	1225	4.45	60Hz	变频工况 Inverter Condition	235	8.2	12.87
	FTz-SM141-A	14.1	18664	5470	1196	4.57	60Hz	变频工况 Inverter Condition	235	8.2	12.87
	FTz-SM141-C	14.1	18732	5490	1190	4.61	60Hz	变频工况 Inverter Condition	264	8.2	12.87
SB	FTz-SM151-B	15.1	20131	5900	1305	4.52	60Hz	变频工况 Inverter Condition	235	8.2	12.87
	※FTz-SM180	18.0	23406	6860	1580	4.34	60Hz	变频工况 Inverter Condition	235	8.2	12.87
	※FTz-SM203	20.3	26887	7880	1770	4.45	60Hz	变频工况 Inverter Condition	235	8.2	12.87
	※FTz-SB180	18.0	24873	7290	1650	4.42	60Hz	变频工况 Inverter Condition	275.9	9.7	16.2
SD	※FTz-SB216	21.6	29855	8750	1980	4.42	60Hz	变频工况 Inverter Condition	275.9	9.7	16.2
	FTz-SB238	23.8	32686	9580	2153	4.45	60Hz	变频工况 Inverter Condition	303.4	9.7	16.2
	FTz-SB238-A	23.8	32892	9640	2135	4.52	60Hz	变频工况 Inverter Condition	303.4	9.7	16.2
SF	※FTz-SD280	28.0	38317	11230	2550	4.40	60Hz	变频工况 Inverter Condition	318	9.7	16.2
	FTz-SD320	32.1	43947	12880	2920	4.41	60Hz	变频工况 Inverter Condition	318	9.7	16.2
	FTz-SF420	42.0	58345	17100	3850	4.44	60Hz	变频工况 Inverter Condition	342	12.2	16.2

备注: 型号带 "※", 代表开发中, "▲" 代表推荐机型。
 Note: A model with "※" is under development.
 A model with "▲" is the recommended model.

R410A T1 [1φ]220-240V 50Hz

系列 Series	压缩机型号 Model	排量 Displ.(cc)	冷量 Capacity (Btu/h)	制冷量 Refrigerating Capacity (W)	功率 Power (W)	COP (W/W)	电容 Capacitor(μF)	测试工况 Test Conditions	压缩机高度 Compressor Height (mm)	排气管内径 Discharge Pipe ID (mm)	回气管内径 Suction Pipe ID (mm)
N	※QXA-N050	5.0	4027	1180	435	2.71	15μF/450V	ASHRAE/T	213.0	8.2	9.7
	QXA-A044	4.4	3566	1045	370	2.82	15μF/450V	ASHRAE/T	199.0	8.2	9.7
A	QXA-A058	5.8	4640	1360	490	2.78	20μF/450V	ASHRAE/T	206.0	8.2	9.7
	QXA-A066	6.6	5392	1580	565	2.80	20μF/450V	ASHRAE/T	209.0	8.2	9.7
	QXA-A069	7.0	5637	1652	592	2.79	20μF/450V	ASHRAE/T	215.0	8.2	9.7
	QXA-A071	7.1	5664	1660	615	2.70	25μF/450V	ASHRAE/T	215.0	6.2	9.7
	QXA-A081	8.1	6653	1950	685	2.85	40μF/450V	ASHRAE/T	219.0	6.2	9.7
	QXA-A083	8.3	6619	1940	710	2.73	35μF/450V	ASHRAE/T	219.0	6.2	9.7
	QXA-A088	8.8	7233	2120	740	2.86	35μF/450V	ASHRAE/T	224.0	6.2	9.7
	QXA-B092	9.2	7657	2244	736	3.05	30μF/450V	ASHRAE/T	266.5	9.7	12.2
	QXA-B098	9.8	8052	2360	774	3.05	25μF/450V	ASHRAE/T	266.5	9.7	12.2
	QXA-B098(J)	9.8	8052	2360	787	3.00	30μF/450V	ASHRAE/T	266.5	9.7	12.2
B	QXA-B102	10.2	8527	2499	819	3.05	25μF/450V	ASHRAE/T	266.5	9.7	12.2
	QXA-B104	10.4	8632	2530	830	3.05	30μF/450V	ASHRAE/T	266.5	9.7	12.2
	QXA-B104(J)	10.4	8632	2530	843	3.00	30μF/450V	ASHRAE/T	266.5	9.7	12.2
	QXA-B106	10.6	8666	2540	828	3.07	25μF/450V	ASHRAE/T	266.5	9.7	12.2
	QXA-B109	11.0	9014	2642	870	3.04	30μF/450V	ASHRAE/T	266.5	9.7	12.2
	QXA-B109(J)	10.9	9014	2642	881	3.00	30μF/450V	ASHRAE/T	266.5	9.7	12.2
	QXA-B120	10.9	10023	2938	963	3.05	35μF/450V	ASHRAE/T	266.5	9.7	12.2
	QXA-B120(J)	12.0	10023	2938	979	3.00	35μF/450V	ASHRAE/T	266.5	9.7	12.2
	QXA-B125	12.5	10298	3020	990	3.05	35μF/450V	ASHRAE/T	266.5	9.7	12.2
	QXA-B125(J)	12.5	10298	3020	1007	3.00	35μF/450V	ASHRAE/T	266.5	9.7	12.2
	QXA-B129	12.9	10673	3130	1026	3.05	35μF/450V	ASHRAE/T	266.5	9.7	12.2
	QXA-B129(J)	12.9	10673	3130	1043	3.00	40μF/450V	ASHRAE/T	266.5	9.7	12.2
	QXA-B133	13.3	10912	3200	1053	3.04	35μF/450V	ASHRAE/T	266.5	9.7	12.2
	QXA-B136	13.6	10912	3264	1070	3.05	35μF/450V	ASHRAE/T	266.5	9.7	12.2
QXA-B136(J)	13.6	10912	3264	1088	3.00	40μF/450V	ASHRAE/T	266.5	9.7	12.2	
QXA-B139	13.9	11601	3400	1122	3.03	35μF/450V	ASHRAE/T	266.5	9.7	12.2	
QXA-B15	15.0	12078	3540	1200	2.95	35μF/450V	ASHRAE/T	266.5	9.7	12.2	
D	※QXA-D145	14.5	11992	3515	1123	3.13	45μF/450V	ASHRAE/T	307.5	9.7	16.2

②通用压缩机 Compressor for General-Purpose

R410A T1 [1φ]220-240V 50Hz

系列 Series	压缩机型号 Model	排量 Displ.(cc)	冷量 Capacity (Btu/h)	制冷量 Refrigerating Capacity (W)	功率 Power (W)	COP (W/W)	电容 Capacitor(μF)	测试工况 Test Conditions	压缩机高度 Compressor Height (mm)	排气管内径 Discharge Pipe ID (mm)	回气管内径 Suction Pipe ID (mm)
D	※QXA-D160	16.0	13233	3878	1239	3.13	45uF/450V	ASHRAE/T	307.5	9.7	16.2
	QXA-D184	18.4	15218	4460	1439	3.10	50uF/450V	ASHRAE/T	307.5	9.7	16.2
	QXA-D19	19.0	15695	4600	1484	3.10	50uF/450V	ASHRAE/T	307.5	9.7	16.2
	QXA-D193	19.3	15968	4680	1519	3.08	45uF/450V	ASHRAE/T	307.5	9.7	16.2
	QXA-D20	20.0	16548	4850	1590	3.05	50uF/450V	ASHRAE/T	307.5	9.7	16.2
	QXA-D205	20.5	16958	4970	1630	3.05	50uF/450V	ASHRAE/T	307.5	9.7	16.2
	QXA-D21	21.0	17367	5090	1658	3.07	50uF/450V	ASHRAE/T	307.5	9.7	16.2
	※QXA-D22	22.0	18220	5340	1745	3.06	50uF/450V	ASHRAE/T	312.5	9.7	16.2
E	QXA-E193	19.3	16566	4855	1556	3.12	40uF/450V	ASHRAE/T	312.5	9.7	16.2
	QXA-E20	20.0	17105	5013	1607	3.12	55uF/450V	ASHRAE/T	317.5	9.7	16.2
	QXA-E21	21.0	17915	5251	1683	3.12	55uF/450V	ASHRAE/T	317.5	9.7	12.2
	QXA-E22	22.0	18630	5460	1761	3.10	55uF/450V	ASHRAE/T	321.5	9.7	16.2
	QXA-E232	23.2	19924	5840	1878	3.11	60uF/450V	ASHRAE/T	312.5	9.7	16.2
	QXA-E24	24.0	20742	6079	1955	3.11	60uF/450V	ASHRAE/T	321.5	9.7	16.2
	QXA-E25	25.0	21591	6328	2035	3.11	60uF/450V	ASHRAE/T	331.5	9.7	16.2
	QXA-E27	27.0	22758	6670	2152	3.10	60uF/450V	ASHRAE/T	337.5	9.7	16.2
SE	QXAS-E270	27.5	23202	6800	2230	3.05	60uF/450V	ASHRAE/T	378	9.7	16.2
	QXAS-E280	28.0	24055	7050	2310	3.05	60uF/450V	ASHRAE/T	378	9.7	16.2
	QXAS-E290	29.0	24908	7300	2393	3.05	60uF/450V	ASHRAE/T	378	9.7	16.2
SF	QXAS-F305	30.5	25806	7563	2508	3.02	50uF/450V	ASHRAE/T	367.2	9.7	16.2
	QXAS-F325	32.5	27842	8160	2706	3.02	50uF/450V	ASHRAE/T	367.2	9.7	16.2
	QXAS-F356	35.6	30765	9017	2939	3.07	60uF/450V	ASHRAE/T	367.2	9.7	16.2
	QXAS-F41	41.0	35144	10300	3433	3.00	80uF/450V	ASHRAE/T	380.2	9.7	16.2

备注: 型号带“※”,代表开发中。“▲”代表推荐机型。
 Note: A model with “※” is under development.
 A model with “▲” is the recommended model.

R410A T1 [1φ]208-230V 60Hz

系列 Series	压缩机型号 Model	排量 Displ.(cc)	冷量 Capacity (Btu/h)	制冷量 Refrigerating Capacity (W)	功率 Power (W)	COP (W/W)	电容 Capacitor(μF)	测试工况 Test Conditions	压缩机高度 Compressor Height (mm)	排气管内径 Discharge Pipe ID (mm)	回气管内径 Suction Pipe ID (mm)
A	QXA-A047r	4.7	4710	1380	476	2.90	15uF/450V	ASHRAE/T	206.0	8.2	9.7
	QXA-A053r	5.3	5290	1550	535	2.90	20uF/450V	ASHRAE/T	206.0	8.2	9.7
	QXA-A056r	5.6	5597	1640	560	2.93	15uF/450V	ASHRAE/T	209.0	8.2	9.7
	QXA-A062r	6.2	6159	1805	616	2.93	15uF/450V	ASHRAE/T	209.0	8.2	9.7
	QXA-A066r	6.6	6510	1908	651	2.93	15uF/450V	ASHRAE/T	215.0	8.2	9.7
	QXA-A069r	6.9	6858	2010	686	2.93	20uF/450V	ASHRAE/T	215.0	8.2	9.7
	QXA-A078r	7.8	7711	2260	770	2.94	20uF/450V	ASHRAE/T	219.0	8.2	9.7
	QXA-A081r	8.1	8052	2360	805	2.93	20uF/450V	ASHRAE/T	219.0	8.2	9.7
	QXA-A083r	8.3	8345	2445	844	2.90	25uF/450V	ASHRAE/T	219.0	8.2	9.7
	QXA-A086r	8.6	8669	2540	875	2.90	25uF/450V	ASHRAE/T	219.0	8.2	9.7
B	QXA-B102r	10.2	10225	2997	974	3.08	30uF/450V	ASHRAE/T	266.5	9.7	12.2
	QXA-B106r	10.6	10580	3101	1007	3.08	25uF/450V	ASHRAE/T	266.5	9.7	12.2
	QXA-B109r	10.9	10893	3193	1037	3.08	25uF/450V	ASHRAE/T	266.5	9.7	12.2
	QXA-B112r	11.2	11174	3275	1074	3.05	30uF/450V	ASHRAE/T	266.5	9.7	12.2
	QXA-B115r	11.5	11659	3417	1121	3.05	30uF/450V	ASHRAE/T	266.5	9.7	12.2
	QXA-B117r	11.7	11624	3407	1117	3.05	35uF/450V	ASHRAE/T	266.5	9.7	12.2
	QXA-B120r	12.0	11955	3504	1149	3.05	35uF/450V	ASHRAE/T	266.5	9.7	12.2
	QXA-B136r	13.6	14023	4110	1348	3.05	35uF/450V	ASHRAE/T	266.5	9.7	12.2
C	QXA-C145r	14.5	14743	4321	1403	3.08	35uF/450V	ASHRAE/T	301.9	9.7	12.9
D	QXA-D155r	15.5	15760	4619	1490	3.10	35uF/450V	ASHRAE/T	307.5	9.7	16.2
	QXA-D16r	16.0	16268	4768	1538	3.10	35uF/450V	ASHRAE/T	307.5	9.7	16.2
	QXA-D17r	17.0	17285	5066	1634	3.10	35uF/450V	ASHRAE/T	307.5	9.7	16.2
	QXA-D184r	18.4	18715	5485	1769	3.10	35uF/450V	ASHRAE/T	307.5	9.7	16.2
	QXA-D19r	19.0	19633	5754	1856	3.10	40uF/450V	ASHRAE/T	307.5	9.7	16.2
	QXA-D20r	20.0	20336	5960	1954	3.05	35uF/450V	ASHRAE/T	307.5	9.7	16.2
	QXA-E21r	21.0	21752	6375	2043	3.12	60uF/450V	ASHRAE/T	317.5	9.7	16.2
E	QXA-E22r	22.0	22796	6681	2141	3.12	60uF/450V	ASHRAE/T	321.5	9.7	16.2
	QXA-E232r	23.2	24536	7191	2305	3.12	60uF/450V	ASHRAE/T	331.5	9.7	16.2
	QXA-E24r	24.0	25197	7385	2367	3.12	55uF/450V	ASHRAE/T	331.5	9.7	16.2
	QXA-E25r	25.0	25545	7487	2400	3.12	55uF/450V	ASHRAE/T	331.5	9.7	16.2

②通用压缩机 Compressor for General-Purpose

R410A T1 [1φ]208-230V 60Hz

系列 Series	压缩机型号 Model	排量 Displ.(cc)	冷量 Capacity (Btu/h)	制冷量 Refrigerating Capacity (W)	功率 Power (W)	COP (W/W)	电容 Capacitor(μF)	测试工况 Test Conditions	压缩机高度 Compressor Height (mm)	排气管内径 Discharge Pipe ID (mm)	回气管内径 Suction Pipe ID (mm)
SE	※QXAS-E265r	26.5	26955	7900	2590	3.05	60uF/450V	ASHRAE/T	378	9.7	16.2
	※QXAS-E275r	27.5	27978	8200	2689	3.05	60uF/450V	ASHRAE/T	378	9.7	16.2
SF	QXAS-F290r	29.0	30026	8800	2904	3.03	60uF/450V	ASHRAE/T	352.2	9.7	16.2
	QXAS-F295r	29.5	31253	9160	3058	3.00	45uF/450V	ASHRAE/T	377.2	9.7	16.2
	QXAS-F304r	30.4	32053	9394	3131	3.00	50uF/450V	ASHRAE/T	377.2	9.7	16.2
	QXAS-F325r	32.5	34120	10000	3333	3.00	70uF/450V	ASHRAE/T	367.2	9.7	16.2
	QXAS-F356r	35.6	37805	11080	3756	2.95	50uF/450V	ASHRAE/T	367.2	9.7	16.2

备注: 型号带“※”,代表开发中。“▲”代表推荐机型。Note: A model with “※” is under development. A model with “▲” is the recommended model.

R410A T1 [1φ]115V 60Hz

系列 Series	压缩机型号 Model	排量 Displ.(cc)	冷量 Capacity (Btu/h)	制冷量 Refrigerating Capacity (W)	功率 Power (W)	COP (W/W)	电容 Capacitor(μF)	测试工况 Test Conditions	压缩机高度 Compressor Height (mm)	排气管内径 Discharge Pipe ID (mm)	回气管内径 Suction Pipe ID (mm)
N	※QXA-N071x	7.1	6997	2050	715	2.87	50μF/250V	ASHRAE/T	227.5	8.2	9.7
	※QXA-N075x	7.5	7338	2150	755	2.85	50μF/250V	ASHRAE/T	227.5	8.2	9.7
A	QXA-A046x	4.6	5783	1695	368	4.61	35μF/250V	北美高效工况 Hi-energy efficiency Condition for North America	209.0	8.2	9.7
	QXA-A050x	5.1	6517	1910	414	4.61	45μF/250V	北美高效工况 Hi-energy efficiency Condition for North America	209.0	8.2	9.7
	QXA-A052x	5.2	6551	1920	417	4.60	35μF/250V	北美高效工况 Hi-energy efficiency Condition for North America	209.0	8.2	9.7
	QXA-A066x	6.6	8496	2490	532	4.68	50μF/250V	北美高效工况 Hi-energy efficiency Condition for North America	215.0	8.2	9.7
	QXA-A068x	6.8	8823	2586	550	4.70	50μF/250V	北美高效工况 Hi-energy efficiency Condition for North America	215.0	8.2	9.7
	QXA-A071x	7.1	7029	2060	702	2.93	50μF/250V	ASHRAE/T	215.0	8.2	9.7
	QXA-A075x	7.5	7321	2145	740	2.90	50μF/250V	ASHRAE/T	219.0	8.2	9.7
	QXA-A083x	8.3	8189	2400	830	2.89	55μF/250V	ASHRAE/T	219.0	8.2	9.7
	QXA-A086x	8.6	8564	2510	860	2.92	55μF/250V	ASHRAE/T	219.0	8.2	9.7
	QXA-A098x	9.8	9710	2846	933	3.05	45uF/250V	ASHRAE/T	266.5	9.7	12.2
B	QXA-B102x	10.2	10202	2990	971	3.08	55uF/250V	ASHRAE/T	266.5	9.7	12.2
	QXA-B104x	10.4	10390	3045	989	3.08	60uF/251V	ASHRAE/T	266.5	9.7	12.2
	QXA-B106x	10.6	10615	3111	1004	3.10	60uF/250V	ASHRAE/T	266.5	9.7	12.2
	QXA-B109x	10.9	10935	3205	1041	3.08	60uF/250V	ASHRAE/T	266.5	9.7	12.2
	QXA-B112x	11.2	11243	3295	1080	3.05	60uF/250V	ASHRAE/T	266.5	9.7	12.2
	QXA-B115x	11.5	11533	3380	1108	3.05	60uF/250V	ASHRAE/T	266.5	9.7	12.2
	QXA-B117x	11.7	11737	3440	1124	3.06	60uF/250V	ASHRAE/T	266.5	9.7	12.2
	QXA-B120x	12.0	11942	3500	1136	3.08	60uF/250V	ASHRAE/T	266.5	9.7	12.2

备注: 型号带“※”,代表开发中。“▲”代表推荐机型。Note: A model with “※” is under development. A model with “▲” is the recommended model.

R22 T1 [1φ]220-240V 50Hz

系列 Series	压缩机型号 Model	排量 Displ.(cc)	冷量 Capacity (Btu/h)	制冷量 Refrigerating Capacity (W)	功率 Power (W)	COP (W/W)	电容 Capacitor(μF)	测试工况 Test Conditions	压缩机高度 Compressor Height (mm)	排气管内径 Discharge Pipe ID (mm)	回气管内径 Suction Pipe ID (mm)
A	QX-A081	8.1	4625	1355	475	2.85	15μF/450V	ASHRAE/T	206.0	8.2	9.7
	QX-A086	8.6	4845	1420	502	2.83	35μF/450V	ASHRAE/T	219.0	8.2	9.7
	QX-A104	10.4	5969	1749	601	2.91	25μF/450V	ASHRAE/T	224.0	8.2	9.7
B	QX-B139	13.9	8974	2630	619	4.25	30uF/450V	高效工况 Hi-efficiency Working Condition	271.5	9.7	12.87
	QX-B150	15.0	9622	2820	664	4.25	30uF/450V	高效工况 Hi-efficiency Working Condition	262.0	9.7	12.87
	QX-B155	15.5	9997	2930	681	4.30	30uF/450V	高效工况 Hi-efficiency Working Condition	262.5	9.7	12.2
	QX-B160	16.0	10407	3050	718	4.25	25uF/450V	高效工况 Hi-efficiency Working Condition	262.5	9.7	12.2
	QX-B172	17.2	9884	2897	920	3.15	35μF/450V	ASHRAE/T	273.0	9.7	12.2
	QX-B193	19.3	12283	3600	837	4.30	30uF/450V	高效工况 Hi-efficiency Working Condition	284.0	9.7	12.2
	QX-B202	20.2	12949	3795	883	4.30	30uF/450V	高效工况 Hi-efficiency Working Condition	273.0	9.7	12.2
	QX-B206	20.6	13204	3870	900	4.30	30uF/450V	高效工况 Hi-efficiency Working Condition	284.0	9.7	12.2
	QX-B210	21.0	13477	3950	908	4.35	30uF/450V	高效工况 Hi-efficiency Working Condition	281.0	9.7	12.87
	QX-B212	21.3	13750	4030	937	4.30	40uF/450V	高效工况 Hi-efficiency Working Condition	281.0	9.7	12.87
D	QX-B217	21.7	12454	4080	949	4.30	35μF/450V	高效工况 Hi-efficiency Working Condition	281.0	9.7	12.87
	QX-B222	22.1	12761	4160	967	4.30	35uF/450V	高效工况 Hi-efficiency Working Condition	288.0	9.7	12.2
	QX-D28	28.0	18152	5320	1209	4.40	50uF/450V	高效工况 Hi-efficiency Working Condition	309.0	9.7	16.2
	QX-D287	28.7	18612	5455	1240	4.40	50uF/450V	高效工况 Hi-efficiency Working Condition	309.0	9.7	16.2
	QX-D305	30.7	20091	5888	1338	4.40	50uF/450V	高效工况 Hi-efficiency Working Condition	325.0	9.7	16.2
F	QX-F325	32.5	19350	5671	1746	3.25	50uF/450V	ASHRAE/T	328.0	9.7	12.87
	QX-34	33.7	20185	5916	1810	3.27	55uF/450V	ASHRAE/T	343.0	9.7	12.87

通用
General Purpose

通用
General Purpose

②通用压缩机 Compressor for General-Purpose

R22 T1 [1φ]220-240V 50Hz

系列 Series	压缩机型号 Model	排量 Displ.(cc)	冷量 Capacity (Btu/h)	制冷量 Refrigerating Capacity (W)	功率 Power (W)	COP (W/W)	电容 Capacitor(μF)	测试工况 Test Conditions	压缩机高度 Compressor Height (mm)	排气管内径 Discharge Pipe ID (mm)	回气管内径 Suction Pipe ID (mm)
F	※QX-F36	35.6	21325	6250	1923	3.25	55uF/450V	ASHRAE/T	343.0	9.7	16.2
	QX-37	36.8	22100	6477	1991	3.25	60uF/450V	ASHRAE/T	343.0	9.7	16.2
SF	※QXS-F40A	40.0	26464	7756	1825	4.25	50uF/450V	高效工况 Hi-efficiency Working Condition	393.2	9.7	16.2
	QXS-F41A	41.0	27125	7950	1870	4.25	50uF/450V	高效工况 Hi-efficiency Working Condition	393.2	9.7	16.2
	QXS-F42A	42.0	27787	8144	1916	4.25	50uF/450V	高效工况 Hi-efficiency Working Condition	393.2	9.7	16.2
	QXS-F428A	42.8	28320	8300	1953	4.25	50uF/450V	高效工况 Hi-efficiency Working Condition	393.2	9.7	16.2
	※QXS-F438A	43.8	25829	7570	2366	3.20	50uF/450V	ASHRAE/T	393.2	9.7	16.2
	QXS-F475	47.5	28319.6	8300	2677	3.10	60uF/450V	ASHRAE/T	397.0	9.7	16.2

R22 T1 [3φ]380V 50Hz

系列 Series	压缩机型号 Model	排量 Displ.(cc)	冷量 Capacity (Btu/h)	制冷量 Refrigerating Capacity (W)	功率 Power (W)	COP (W/W)	电容 Capacitor(μF)	测试工况 Test Conditions	压缩机高度 Compressor Height (mm)	排气管内径 Discharge Pipe ID (mm)	回气管内径 Suction Pipe ID (mm)
F	QX-F34s	33.7	19687	5770	1792	3.22	/	ASHRAE/T	343.0	9.7	16.2
SF	QXS-F41s	41.0	23815	6980	2148	3.25	/	ASHRAE/T	393.0	9.7	16.2
	QXS-F42s	42.0	24396	7150	2200	3.25	/	ASHRAE/T	393.0	9.7	16.2
	QXS-F438s	43.8	25590	7500	2336	3.21	/	ASHRAE/T	397.2	9.7	16.2
	QXS-F475s	47.5	27654	8105	2525	3.21	/	ASHRAE/T	397.2	9.7	16.2
	※QXS-F49s	49.0	28524	8360	2604	3.21	/	ASHRAE/T	403.0	9.7	16.2

备注: 型号带“※”,代表开发中。“▲”代表推荐机型。
Note: A model with “※” is under development.
A model with “▲” is the recommended model.

R22 T1 [1φ]208-230V 60Hz

系列 Series	压缩机型号 Model	排量 Displ.(cc)	冷量 Capacity (Btu/h)	制冷量 Refrigerating Capacity (W)	功率 Power (W)	COP (W/W)	电容 Capacitor(μF)	测试工况 Test Conditions	压缩机高度 Compressor Height (mm)	排气管内径 Discharge Pipe ID (mm)	回气管内径 Suction Pipe ID (mm)
A	QX-A098r	9.8	6752	1979	649	3.05	25uF/450V	ASHRAE/T	224.0	6.2	9.7
D	QX-D253r	25.3	17888	5243	1616	3.24	35uF/450V	ASHRAE/T	300.5	9.7	12.2
	QX-D267r	26.7	19072	5590	1717	3.26	35uF/450V	ASHRAE/T	300.5	9.7	16.2
F	QX-D273r	27.3	19803	5804	1775	3.27	45uF/450V	ASHRAE/T	300.5	9.7	12.87
	QX-F286r	28.6	20472	6000	1846	3.25	50uF/450V	ASHRAE/T	326.5	9.7	12.2
	QX-F305r	30.6	22691	6650	1992	3.34	45uF/450V	ASHRAE/T	326.5	9.7	16.2
	QX-F325r	32.5	24061	7052	2112	3.34	50uF/450V	ASHRAE/T	339.0	9.7	16.2
	QX-F34r	33.7	25058	7344	2200	3.34	50uF/450V	ASHRAE/T	343.0	9.7	16.2

R22 T1 [1φ]127V 60Hz

系列 Series	压缩机型号 Model	排量 Displ.(cc)	冷量 Capacity (Btu/h)	制冷量 Refrigerating Capacity (W)	功率 Power (W)	COP (W/W)	电容 Capacitor(μF)	测试工况 Test Conditions	压缩机高度 Compressor Height (mm)	排气管内径 Discharge Pipe ID (mm)	回气管内径 Suction Pipe ID (mm)
A	QX-A075v	7.5	5151	1510	518	2.91	40uF/250V	ASHRAE/T	211.0	6.2	9.7
	QX-A098v	9.8	6873	2015	692	2.91	40uF/250V	ASHRAE/T	215.0	6.2	9.7

备注: 型号带“※”,代表开发中。“▲”代表推荐机型。
Note: A model with “※” is under development.
A model with “▲” is the recommended model.

③T3中东向压缩机 T3 Compressor for Middle East Market

产品特点 Product Features

A 高可靠性设计 High reliability

- 可在高压比、高压差下可靠运行
Run steadily under high pressure ratio and high pressure difference environment.
- 适用于54°的环境温度，在热带沙漠气候地区，可靠运行
Applicable to the ambient temperature of 54 degrees centigrade, and can perfectly adapt to the tropical desert areas.
- 在较高的蒸发温度下长期可靠运行，满足中东室内环境温度29°下的长期可靠运行
Long-term and reliable operation at indoor temperature of 29 degrees centigrade in the Middle East areas.

B 高效设计 High Energy efficiency

- 成功应用于中东地区2015年新能效标准的空调系统中，满足分体空调能效T1工况可达3.37，T3工况下2.43
The compressor has been applied to the AC systems under 2015 New Energy Efficiency Standard in the Middle East, the COP of Split ACs can reach 3.37 and 2.43 respectively under T1 and T3 working conditions.

压缩机型谱 Product Spectrum

T3中东向压缩机 T3 Compressor for Middle East Market										
产品类别 Product Category		压缩机能力范围 Capacity Range								
冷媒 Refrigerant	电压/频率 Voltage V/ Frequency	BTU/h	6824	10236	13648	17060	20472	23884	27296	30708
		W	2000	3000	4000	5000	6000	7000	8000	9000
R410A	220-240V/50Hz	(10000-25000 BTU/h)								
	208-230V/60Hz	(10000-30000 BTU/h)								
R22	220-240V/50Hz	(10000-30000 BTU/h)								
R32	220-240V/50Hz	(9000-23000 BTU/h)								

压缩机产品规格 Compressor Spec.

R410A T3 [1φ]220-240V 50Hz

系列 Series	压缩机型号 Model	排量 Displ.(cc)	冷量 Capacity (Btu/h)	制冷量 Refrigerating Capacity (W)	功率 Power (W)	COP (W/W)	电容 Capacitor(μF)	测试工况 Test Conditions	压缩机高度 Compressor Height (mm)	排气管内径 Discharge Pipe ID (mm)	回气管内径 Suction Pipe ID (mm)
C	QXAH-C136	13.6	11450	3356	1083	3.10	35uF/450V	ASHRAE/T	277.4	9.7	12.87
	QXAH-D184	18.4	15218	4460	1439	3.10	45uF/450V	ASHRAE/T	307.5	9.7	16.2
D	QXAH-D19	19.0	15866	4650	1510	3.08	45uF/450V	ASHRAE/T	307.5	9.7	16.2
	QXAH-E193	19.3	16275	4770	1539	3.10	45uF/450V	ASHRAE/T	312.5	9.7	16.2
	QXAH-E21	21.0	17913	5250	1694	3.10	55uF/450V	ASHRAE/T	312.5	9.7	12.2
E	QXAH-E232	23.2	19448	5700	1839	3.10	60uF/450V	ASHRAE/T	331.5	9.7	16.2
	QXAH-E25	25.0	21496	6300	2066	3.05	60uF/450V	ASHRAE/T	331.5	9.7	16.2
SF	QXASH-F295	29.5	24839	7280	2459	2.96	50uF/450V	ASHRAE/T	366.2	9.7	16.2

R410A T3 [1φ]208-230V 60Hz

系列 Series	压缩机型号 Model	排量 Displ.(cc)	冷量 Capacity (Btu/h)	制冷量 Refrigerating Capacity (W)	功率 Power (W)	COP (W/W)	电容 Capacitor(μF)	测试工况 Test Conditions	压缩机高度 Compressor Height (mm)	排气管内径 Discharge Pipe ID (mm)	回气管内径 Suction Pipe ID (mm)
B	QXAH-B102r	10.2	10185	2985	963	3.10	25uF/450V	ASHRAE/T	266.5	9.7	12.2
C	QXAH-C145r	14.5	14603	4280	1381	3.10	35uF/450V	ASHRAE/T	304.4	9.7	12.87
	QXAH-C150r	15.0	15115	4430	1420	3.12	35uF/450V	ASHRAE/T	304.4	9.7	12.87
D	QXAH-C160r	16.0	16173	4740	1529	3.10	35uF/450V	ASHRAE/T	306.4	9.7	12.2
	QXAH-D17r	17.0	17333	5080	1639	3.10	40uF/450V	ASHRAE/T	307.5	9.7	16.2
	QXAH-D175r	17.5	17845	5230	1687	3.10	40uF/450V	ASHRAE/T	307.5	9.7	16.2
E	QXAH-D184r	18.4	18630	5460	1761	3.10	45uF/450V	ASHRAE/T	307.5	9.7	16.2
	QXAH-D193r	19.3	19585	5740	1840	3.12	50uF/450V	ASHRAE/T	307.5	9.7	16.2
E	QXAH-D20r	20.0	20295	5948	1906	3.12	50uF/450V	ASHRAE/T	307.5	9.7	16.2
	QXAH-E20r	20.0	20813	6100	1937	3.15	60uF/450V	ASHRAE/T	317.5	9.7	16.2
	QXAH-E205r	20.5	21334	6253	1985	3.15	60uF/450V	ASHRAE/T	317.5	9.7	16.2
	QXAH-E215r	21.5	22102	6478	2056	3.15	60uF/450V	ASHRAE/T	321.5	9.7	16.2
	QXAH-E232r	23.2	23850	6990	2219	3.15	60uF/450V	ASHRAE/T	331.5	9.7	16.2
	QXAH-E24r	24.0	24908	7300	2317	3.15	60uF/450V	ASHRAE/T	331.5	9.7	16.2
SF	QXAH-E25r	25.0	25931	7600	2413	3.15	60uF/450V	ASHRAE/T	331.5	9.7	16.2
	QXASH-F275r	27.5	28490	8350	2738	3.05	60uF/450V	ASHRAE/T	364.2	9.7	16.2
	QXASH-F286r	28.6	29630	8684	2847	3.05	60uF/450V	ASHRAE/T	366.2	9.7	16.2

③T3中东向压缩机 T3 Compressor for Middle East Market

R32 T3 [1φ]220-240V 50Hz

系列 Series	压缩机型号 Model	排量 Displ.(cc)	冷量 Capacity (Btu/h)	制冷量 Refrigerating Capacity (W)	功率 Power (W)	COP (W/W)	电容 Capacitor(μF)	测试工况 Test Conditions	压缩机高度 Compressor Height (mm)	排气管内径 Discharge Pipe ID (mm)	回气管内径 Suction Pipe ID (mm)
B	QXFH-B092	9.2	9110	2670	659	4.05	35uF/450V	高能效工况 Hi-efficiency Working Condition	266.5	9.7	16.2
	QXFH-B117	11.7	11771	3450	854	4.04	35uF/450V	高能效工况 Hi-efficiency Working Condition	266.5	9.7	16.2
E	QXFH-E193	19.3	19201	5627	1373	4.10	45uF/450V	高能效工况 Hi-efficiency Working Condition	312.5	9.7	16.2
	QXFH-E22	22.0	21919	6424	1567	4.10	45uF/450V	高能效工况 Hi-efficiency Working Condition	321.5	9.7	16.2

R22 T3 [1φ]220-240V 50Hz

系列 Series	压缩机型号 Model	排量 Displ.(cc)	冷量 Capacity (Btu/h)	制冷量 Refrigerating Capacity (W)	功率 Power (W)	COP (W/W)	电容 Capacitor(μF)	测试工况 Test Conditions	压缩机高度 Compressor Height (mm)	排气管内径 Discharge Pipe ID (mm)	回气管内径 Suction Pipe ID (mm)
C	QXH-C222	22.2	12912	3784	1242	3.05	30uF/450V	ASHRAE/T	288.0	9.7	12.87
D	QXH-D305	30.7	17913	5250	1694	3.10	50uF/450V	ASHRAE/T	325.0	9.7	16.2
F	QXH-F34	33.7	20533	6018	1855	3.24	50uF/450V	ASHRAE/T	343.0	9.7	16.2
	QXH-F36	35.6	20934	6135	1979	3.10	55uF/450V	ASHRAE/T	328.0	9.7	15.6
SF	QXSH-F42A	42.0	25249	7400	2388	3.10	60uF/450V	ASHRAE/T	349.0	9.7	15.6
	QXSH-F438A	43.8	26272	7700	2536	3.04	60uF/450V	ASHRAE/T	349.0	9.7	15.6
	QXSH-F475	47.5	28661	8400	2800	3.00	60uF/450V	ASHRAE/T	397.0	9.7	16.2
	QXSH-F49	49.0	29791	8731	2960	2.95	70uF/450V	ASHRAE/T	397.0	9.7	16.2

备注：型号带“*”代表开发中，“▲”代表推荐机型。
 Note: A model with “*” is under development.
 A model with “▲” is the recommended model.

④印度向压缩机 Compressor for Indian Market

产品特点 Product Features

A 高可靠性设计 High reliability

•可长期稳定运行在平均温度40°C的环境下
 Work stably at an average temp. of 40 degrees centigrade for a long period.

B 高效环保 High efficiency and environmental friendly

•环保R410A产品成功应用于印度五星能效标准的产品中
 R410A products are complied with the five-star energy-efficiency standards in India.

C 较强的过负荷能力 Strong overload capacity

•适应电压不稳区域
 Adapt to unstable voltage regions.

压缩机型谱 Product Spectrum

印度向压缩机 Compressor for Indian Market							
产品类别 Product Category		压缩机能力范围 Capacity Range					
制冷剂 Refrigerant	电压/频率 Voltage V/ Frequency	BTU/h	8530	15354	18766	22178	25590
		W	2500	4500	5500	6500	7500
R22	230V/50Hz	(11000-25000 BTU/h)					
R32	230V/50Hz		(10000-22000 BTU/h)				
R410A	230V/50Hz		(11000-28000 BTU/h)				

④印度向压缩机 Compressor for Indian Market

压缩机产品规格 Compressor Spec.

R22 T1 [1φ]230V 50Hz

系列 Series	压缩机型号 Model	排量 Displ.(cc)	冷量 Capacity (Btu/h)	制冷量 Refrigerating Capacity (W)	功率 Power (W)	COP (W/W)	电容 Capacitor(μF)	测试工况 Test Conditions	压缩机高度 Compressor Height (mm)	排气管内径 Discharge Pipe ID (mm)	回气管内径 Suction Pipe ID (mm)
B	*QX-B193u	19.3	11089	3250	1016	3.20	30uF/250V	ASHRAE/T	281	9.7	12.87
D	QX-D28u	28.7	18152	5320	1209	4.40	45uF/450V	高效率工况 Hi-efficiency Working Condition	309	9.7	16.2
	QX-D287u	28.7	18595	5450	1239	4.40	45uF/450V	高效率工况 Hi-efficiency Working Condition	309	9.7	16.2
F	*QX-F34u	33.7	20011	5865	1810	3.24	45uF/450V	ASHRAE/T	343.0	9.7	16.2
	*QX-F36u	35.6	23270	6195	1912	3.24	45uF/450V	ASHRAE/T	343.0	9.7	16.2

R410A T1 [1φ]230V 50Hz

系列 Series	压缩机型号 Model	排量 Displ.(cc)	冷量 Capacity (Btu/h)	制冷量 Refrigerating Capacity (W)	功率 Power (W)	COP (W/W)	电容 Capacitor(μF)	测试工况 Test Conditions	压缩机高度 Compressor Height (mm)	排气管内径 Discharge Pipe ID (mm)	回气管内径 Suction Pipe ID (mm)
B	QXA-B129u	12.9	10673	3150	1016	3.10	35μF/450V	ASHRAE/T	\	\	\
D	QXA-D184u	18.4	15286	4480	1436	3.12	50uF/450V	ASHRAE/T	307.5	9.7	16.2
	QXA-D193u	19.3	16016	4694	1514	3.10	45uF/450V	ASHRAE/T	307.5	9.7	16.2
E	QXA-E193u	19.3	16566	4855	1527	3.18	40uF/450V	ASHRAE/T	302.5	9.7	16.2
	QXA-E22u	22.0	18630	5460	1733	3.15	60uF/450V	ASHRAE/T	321.5	9.7	16.2
	QXA-E232u	23.2	19924	5840	1854	3.15	60uF/450V	ASHRAE/T	321.5	9.7	16.2
	QXA-E25u	25.0	21666	6350	2062	3.08	60uF/450V	ASHRAE/T	331.15	9.7	16.2

R32 T1 [1φ]230V 50Hz

系列 Series	压缩机型号 Model	排量 Displ.(cc)	冷量 Capacity (Btu/h)	制冷量 Refrigerating Capacity (W)	功率 Power (W)	COP (W/W)	电容 Capacitor(μF)	测试工况 Test Conditions	压缩机高度 Compressor Height (mm)	排气管内径 Discharge Pipe ID (mm)	回气管内径 Suction Pipe ID (mm)
B	QXF-B120u	12.0	10673	3500	858	4.08	30μF/450V	ASHRAE/T	266.5	9.7	12.87

备注: 型号带“*”代表开发中, “▲”代表推荐机型。
 Note: A model with “*” is under development.
 A model with “▲” is the recommended model.

⑤宽电压压缩机 Wide Voltage Compressor

产品特点 Product Features

A 运行电压范围宽广 Wide voltage range

•在135V-270V之间稳定运行
 Stable operation between 135V-270V.

B 高效节能 High energy efficiency

C 稳定可靠 Stable and reliable

D 多重安全保护 Multi-safety protection

E 覆盖主流冷量、冷媒 Covering the main refrigerants

压缩机型号谱 Product Spectrum

宽电压压缩机 Wide Voltage Compressor							
产品类别 Product Category		压缩机能力范围 Capacity Range					
冷媒 Refrigerant	电压/频率 Voltage V/ Frequency	BTU/h	6824	10236	13648	17060	20472
		W	2000	3000	4000	5000	6000
R410A	135-270V/50Hz						(8000-20000 BTU/h)

压缩机产品规格 Compressor Spec.

R410A T1 [1φ]135-270V 50Hz

系列 Series	压缩机型号 Model	排量 Displ.(cc)	冷量 Capacity (Btu/h)	制冷量 Refrigerating Capacity (W)	功率 Power (W)	COP (W/W)	电容 Capacitor(μF)	测试工况 Test Conditions	压缩机高度 Compressor Height (mm)	排气管内径 Discharge Pipe ID (mm)	回气管内径 Suction Pipe ID (mm)
B	QXA-B102	10.2	8462	2480	870	2.85	35uF/450V	ASHRAE/T	268.5	8.2	9.7
	QXA-B133	13.3	11328	3320	1207	2.75	45uF/450V	ASHRAE/T	268.5	8.2	9.7
C	QXA-C129	12.9	10858	3182	1117	2.85	40uF/450V	ASHRAE/T	303.4	9.7	12.2
D	QXA-D20	20.0	17060	5000	1786	2.80	45uF/450V	ASHRAE/T	307.5	9.7	16.2
F	QXA-F193	19.3	16636	4876	1686	2.89	60uF/450V	ASHRAE/T	324.5	9.7	16.2
	QXA-F22	22.0	19002	5569	1906	2.92	60uF/450V	ASHRAE/T	337.5	9.7	16.2

备注: 型号带“*”代表开发中, “▲”代表推荐机型。
 Note: A model with “*” is under development.
 A model with “▲” is the recommended model.

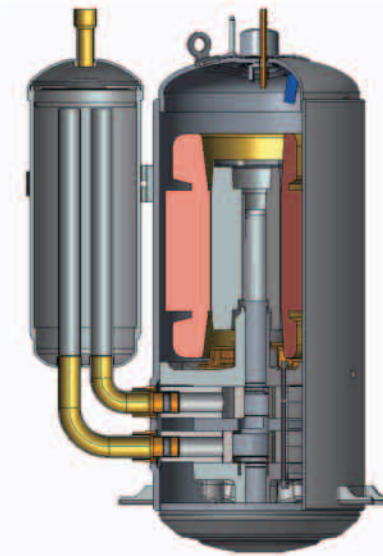
COMPRESSOR FOR COMMERCIAL AIR CONDITIONERS

商用空调压缩机

①轻商用压缩机 Light Commercial Compressor

产品特点 Product Features

R32压缩机产品特点 Product Features of R32 Compressor



- 高温保护装置
High temperature protective device
- 高分子耐高温绝缘材料
Polymer & High-temp. insulation material
- 新绑线材料避免高温析出
New binding material to avoid high temp. precipitation
- 高效电机减少发热量
High efficiency motor reduces the heat output
- 泵体、电机镂空散热设计
Heat dissipation design for the pump body and motor
- 椭球形上、下盖结构，减少90%应力
Ellipsoidal structure, reducing stress by 90 percent
- 5.0厚度的SS400材料，抗拉强度达510MPa
5.0 thickness of SS400 material, the tensile strength is up to 510 Mpa
- 无损通过20万以上4.3MPa油脉冲试验
Pass through 200,000 4.3MPa oil pulse test

压缩机型谱 Product Spectrum

定频压缩机 Fixed speed Compressor

产品类别 Product Category	电压/频率 Voltage V/ Frequency	压缩机能力范围 Capacity Range								
		BTU/h	27000	34000	41000	48000	55000	61000	68000	75000
冷媒 Refrigerant		W	8000	10000	12000	14000	16000	18000	20000	22000
R22	[3φ]380V 50Hz	(24000-49000BTU/h)								
R32	[3φ]380V 50Hz	(26000-74000BTU/h)								
R410A	[3φ]380V 50Hz	(23000-65000BTU/h)								
	[3φ]220V 60Hz	(34000-59000BTU/h)								

变频压缩机 Inverter compressor

产品类别 Product Category	电压/频率 Voltage V/ Frequency	压缩机能力范围 Capacity Range				
		W	68000	102000	137000	171000
冷媒 Refrigerant		W	20000	30000	40000	50000
R410A	DC	(68000-171000BTU/h)				

①轻商用压缩机 Light Commercial Compressor

压缩机产品规格 Compressor Spec.

R22 [3φ]380V 50Hz

系列 Series	压缩机型号 Model	排量 Displ.(cc)	冷量 Capacity (Btu/h)	制冷量 Refrigerating Capacity (W)	功率 Power (W)	COP (W/W)	电容 Capacitor(μF)	测试工况 Test Conditions	压缩机高度 Compressor Height (mm)	排气管内径 Discharge Pipe ID (mm)	回气管内径 Suction Pipe ID (mm)
SF	QXS-F415s	41.5	23,900	7,000	2,220	3.15	/	ASHRAE/T	393.2	9.7	16.2
	QXS-F42s	42.0	24,400	7,150	2,280	3.13	/	ASHRAE/T	393.2	9.7	16.2
	QXS-F438s	43.8	25,600	7,500	2,380	3.15	/	ASHRAE/T	397.2	9.7	16.2
SH	QXS-H53s	53.0	32,400	9,500	2,970	3.20	/	ASHRAE/T	382	12.87	19.3
	▲QXS-H72s	72.0	44,400	13,000	4,060	3.20	/	ASHRAE/T	406	12.87	19.3
	▲QXS-H80s	80.0	49,500	14,500	4,530	3.20	/	ASHRAE/T	406	12.87	19.3

R32 [3φ]380V 50Hz

系列 Series	压缩机型号 Model	排量 Displ.(cc)	冷量 Capacity (Btu/h)	制冷量 Refrigerating Capacity (W)	功率 Power (W)	COP (W/W)	电容 Capacitor(μF)	测试工况 Test Conditions	压缩机高度 Compressor Height (mm)	排气管内径 Discharge Pipe ID (mm)	回气管内径 Suction Pipe ID (mm)
SF	QXFS-F265s	26.5	25,900	7,580	1,850	4.10	/	高能效工况 Hi-efficiency Working Condition	378.2	9.7	16.2
	QXFS-F275s	27.5	26,900	7,870	1,910	4.12	/	高能效工况 Hi-efficiency Working Condition	367.2	9.7	16.2
	QXFS-F41s	41.0	41,000	12,000	2,960	4.05	/	高能效工况 Hi-efficiency Working Condition	380.2	9.7	16.2
SH	QXFS-H446s▲	44.6	44,400	13,000	3,130	4.15	/	高能效工况 Hi-efficiency Working Condition	367	9.7	16.2
	QXFS-H49s▲	49.0	49,100	14,400	3,470	4.15	/	高能效工况 Hi-efficiency Working Condition	382	12.87	19.3
	QXFS-H53s	53.0	53,600	15,700	3,780	4.15	/	高能效工况 Hi-efficiency Working Condition	390	12.87	19.3
	QXFS-H56s	56.0	56,700	16,600	4,000	4.15	/	高能效工况 Hi-efficiency Working Condition	390	12.87	19.3
	QXFS-H59s▲	59.0	60,100	17,600	4,240	4.15	/	高能效工况 Hi-efficiency Working Condition	390	12.87	19.3
	QXFS-H64s※	64.0	65,200	19,100	4,600	4.15	/	高能效工况 Hi-efficiency Working Condition	416	12.87	19.3
	QXFS-H68s	68.0	69,600	20,400	4,920	4.15	/	高能效工况 Hi-efficiency Working Condition	416	12.87	19.3
	QXFS-H72s※	72.0	73,700	21,600	5,200	4.15	/	高能效工况 Hi-efficiency Working Condition	416	12.87	19.3
	QXFS-H45s※	45.0	45,100	13,200	3,110	4.25	/	高能效工况 Hi-efficiency Working Condition	382	12.87	19.3
	QXFS-H47s※	47.0	47,100	13,800	3,250	4.25	/	高能效工况 Hi-efficiency Working Condition	382	12.87	19.3
	QXFS-H50s※	50.0	50,200	14,700	3,460	4.25	/	高能效工况 Hi-efficiency Working Condition	382	12.87	19.3
	QXFS-H45s※	45.0	45,100	13,200	3,030	4.35	/	高能效工况 Hi-efficiency Working Condition	390	12.87	19.3
	QXFS-H47s※	47.0	47,100	13,800	3,170	4.35	/	高能效工况 Hi-efficiency Working Condition	390	12.87	19.3
QXFS-H50s※	50.0	50,200	14,700	3,380	4.35	/	高能效工况 Hi-efficiency Working Condition	390	12.87	19.3	

R410A [3φ]380V 50Hz

系列 Series	压缩机型号 Model	排量 Displ.(cc)	冷量 Capacity (Btu/h)	制冷量 Refrigerating Capacity (W)	功率 Power (W)	COP (W/W)	电容 Capacitor(μF)	测试工况 Test Conditions	压缩机高度 Compressor Height (mm)	排气管内径 Discharge Pipe ID (mm)	回气管内径 Suction Pipe ID (mm)
SF	QXAS-F275s	27.5	23,000	6,730	2,170	3.10	/	ASHRAE/T	367.2	9.7	16.2
	QXAS-F286s	28.6	23,900	7,000	2,260	3.10	/	ASHRAE/T	375.2	9.7	16.2
	QXAS-F304s	30.5	25,300	7,410	2,390	3.10	/	ASHRAE/T	367.2	9.7	16.2
	QXAS-F356s	35.6	30,000	8,800	2,880	3.06	/	ASHRAE/T	375.2	9.7	16.2
	QXAS-F41s	41.0	35,200	10,300	3,370	3.06	/	ASHRAE/T	380.2	9.7	16.2
SH	QXAS-H446s▲	44.6	38,900	11,400	3,680	3.10	/	ASHRAE/T	367	9.7	16.2
	QXAS-H49s▲	49.0	43,000	12,600	4,060	3.10	/	ASHRAE/T	382	12.87	19.3
	QXAS-H53s	53.0	46,800	13,700	4,420	3.10	/	ASHRAE/T	390	12.87	19.3
	QXAS-H56s	56.0	49,800	14,600	4,710	3.10	/	ASHRAE/T	390	12.87	19.3
	QXAS-H59s▲	59.0	52,600	15,400	4,970	3.10	/	ASHRAE/T	390	12.87	19.3
	QXAS-H64s▲	64.0	57,300	16,800	5,420	3.10	/	ASHRAE/T	416	12.87	19.3
	QXAS-H68s▲	68.0	61,400	18,000	5,810	3.10	/	ASHRAE/T	416	12.87	19.3
	QXAS-H72s	72.0	65,200	19,100	6,160	3.10	/	ASHRAE/T	416	12.87	19.3
	QXAS-H45s※	45.0	39,200	11,500	3,590	3.20	/	ASHRAE/T	382	12.87	19.3
	QXAS-H47s※	47.0	41,000	12,000	3,750	3.20	/	ASHRAE/T	382	12.87	19.3
	QXAS-H50s※	50.0	44,000	12,900	4,030	3.20	/	ASHRAE/T	382	12.87	19.3
	QXAS-H45s※	45.0	39,200	11,500	3,530	3.26	/	ASHRAE/T	390	12.87	19.3
	QXAS-H47s※	47.0	41,000	12,000	3,680	3.26	/	ASHRAE/T	390	12.87	19.3
	QXAS-H50s※	50.0	44,000	12,900	3,960	3.26	/	ASHRAE/T	390	12.87	19.3

R410A [3φ]220V 60Hz

系列 Series	压缩机型号 Model	排量 Displ.(cc)	冷量 Capacity (Btu/h)	制冷量 Refrigerating Capacity (W)	功率 Power (W)	COP (W/W)	电容 Capacitor(μF)	测试工况 Test Conditions	压缩机高度 Compressor Height (mm)	排气管内径 Discharge Pipe ID (mm)	回气管内径 Suction Pipe ID (mm)
SF	QXAS-F325w	32.5	34,000	9,975	3,370	2.96	/	ASHRAE/T	367.2	9.7	16.2
	QXAS-F356w	35.6	36,700	10,750	3,580	3.00	/	ASHRAE/T	367.2	9.7	16.2
SH	QXAS-H40w※	40.0	42,700	12,500	4,080	3.06	/	ASHRAE/T	382	12.87	19.3
	QXAS-H446w▲	44.6	48,500	14,200	4,640	3.06	/	ASHRAE/T	382	12.87	19.3
	QXAS-H49w▲	49.0	53,900	15,800	5,160	3.06	/	ASHRAE/T	290	12.87	19.3
	QXAS-H53w	53.0	58,700	17,200	5,620	3.06	/	ASHRAE/T	382	12.87	19.3

①轻商用压缩机 Light Commercial Compressor

R410A DC

系列 Series	压缩机型号 Model	排量 Displ.(cc)	冷量 Capacity (Btu/h)	制冷量 Refrigerating Capacity (W)	功率 Power (W)	COP (W/W)	测试频率 Test Frequency	测试工况 Test Conditions	压缩机高度 Compressor Height (mm)	排气管内径 Discharge Pipe ID (mm)	回气管内径 Suction Pipe ID (mm)
SH	ATz-SH640▲	64.0	71,700	21,000	6,890	3.05	60Hz	ASHRAE/T	420.67	16.2	19.3
	ATz-SH720※	72.0	80,600	23,625	7,880	3.00	60Hz	ASHRAE/T	420.67	16.2	19.3
	ATz-SH840▲	84.0	92,200	27,000	8,710	3.10	60Hz	ASHRAE/T	459.67	16.2	19.3
	ATz-SH980※	98.0	107,500	31,500	10,330	3.05	60Hz	ASHRAE/T	459.67	16.2	19.3

备注: 型号带“※”,代表开发中。“▲”代表推荐机型。
 Note: A model with “※” is under development.
 A model with “▲” is the recommended model.

①风管机 Duct AC Compressor

压缩机型谱 Product Spectrum

宽电压压缩机 Wide Voltage Compressor									
产品类别 Product Category		压缩机能力范围 Capacity Range							
冷媒 Refrigerant	电压/频率 Voltage V/ Frequency	BTU/h	10236	13648	17060	20472	23884	27296	30780
		W	3000	4000	5000	6000	7000	8000	9000
R22	220-240V/50Hz	(13000-30000 BTU/h)							

压缩机产品规格 Compressor Spec.

R32 T1 [1φ]220-240V 50Hz

系列 Series	压缩机型号 Model	排量 Displ.(cc)	冷量 Capacity (Btu/h)	制冷量 Refrigerating Capacity (W)	功率 Power (W)	COP (W/W)	电容 Capacitor(μF)	测试工况 Test Conditions	压缩机高度 Compressor Height (mm)	排气管内径 Discharge Pipe ID (mm)	回气管内径 Suction Pipe ID (mm)
B	QXF-B098	9.8	9281	2720	696	3.91	30uF/450V	国标 GB Condition	260.5	8.2	9.7

R22 T1 [1φ]220-240V 50Hz

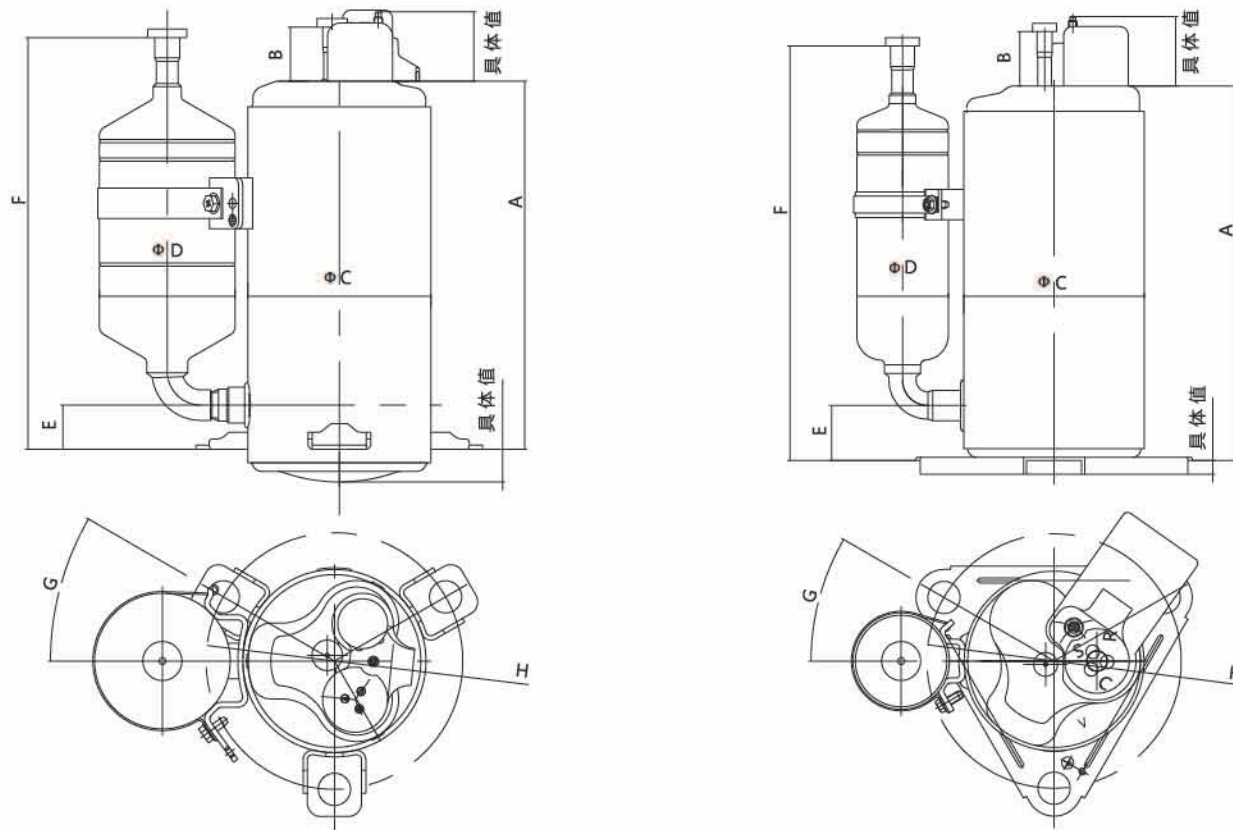
系列 Series	压缩机型号 Model	排量 Displ.(cc)	冷量 Capacity (Btu/h)	制冷量 Refrigerating Capacity (W)	功率 Power (W)	COP (W/W)	电容 Capacitor(μF)	测试工况 Test Conditions	压缩机高度 Compressor Height (mm)	排气管内径 Discharge Pipe ID (mm)	回气管内径 Suction Pipe ID (mm)
C	QXK-C238	23.8	13469.5	3950	1290	3.06	35uF/450V	ASHRAE/T	304.0	9.7	12.2
F	QXK-F34	34.0	19437	5700	1840	3.10	50uF/450V	ASHRAE/T	339.0	9.7	12.87
SF	QXSK-F475	47.5	28473.5	8350	2730	3.06	60uF/450V	ASHRAE/T	397.2	9.7	16.2
	QXSK-F49	49.0	29735.2	8720	2800	3.11	60uF/450V	ASHRAE/T	397.2	9.7	16.2

备注: 型号带“※”,代表开发中。“▲”代表推荐机型。
 Note: A model with “※” is under development.
 A model with “▲” is the recommended model.

压缩机标准尺寸示意图 Compressor Standard Size Diagram

压缩机尺寸范围 Compressor Dimension Range

压缩机尺寸范围 Compressor Dimension Range																							
尺寸	10	30	50	70	90	110	130	150	170	190	210	230	250	270	290	310	330	350	370	390	410	430	450
A	----- (190-345)																						
B	----- (30-40)																						
C	----- (40-150)																						
D	----- (30-90)																						
E	----- (20-82)																						
F	----- (195-430)																						
G	----- (30-105)																						
H	----- (10-30)																						



N系列 Series

压缩机尺寸范围 Compressor Dimension Range																							
尺寸	10	30	50	70	90	110	130	150	170	190	210	230	250	270	290	310	330	350	370	390	410	430	450
A	----- (190-345)																						
B	----- (32)																						
C	----- (100.88)																						
D	----- (64-80)																						
E	----- (23-45)																						
F	----- (195-430)																						
G	----- (41)																						
H	----- (22.3)																						

C系列 Series

压缩机尺寸范围 Compressor Dimension Range																							
尺寸	10	30	50	70	90	110	130	150	170	190	210	230	250	270	290	310	330	350	370	390	410	430	450
A	----- (258-287)																						
B	----- (30)																						
C	----- (127.56)																						
D	----- (75)																						
E	----- (22-51)																						
F	----- (246-265)																						
G	----- (36-41)																						
H	----- (26-28)																						

D系列 Series

压缩机尺寸范围 Compressor Dimension Range																							
尺寸	10	30	50	70	90	110	130	150	170	190	210	230	250	270	290	310	330	350	370	390	410	430	450
A	----- (262-290)																						
B	----- (29-30)																						
C	----- (132)																						
D	----- (75)																						
E	----- (30-46)																						
F	----- (268-309)																						
G	----- (41)																						
H	----- (24-29)																						

E系列 Series

压缩机尺寸范围 Compressor Dimension Range																							
尺寸	10	30	50	70	90	110	130	150	170	190	210	230	250	270	290	310	330	350	370	390	410	430	450
A																(276-302)							
B	(24-40)																						
C											(140.34)												
D						(70-90)																	
E	(26-32)																						
F													(269-354)										
G				(40)																			
H				(36)																			

M系列 Series

压缩机尺寸范围 Compressor Dimension Range																							
尺寸	10	30	50	70	90	110	130	150	170	190	210	230	250	270	290	310	330	350	370	390	410	430	450
A													(198-240)										
B				(32)																			
C						(113-114.5)																	
D					(64-80)																		
E				(21-53)																			
F													(240-252)										
G				(41-42)																			
H				(23.8)																			

F系列 Series

压缩机尺寸范围 Compressor Dimension Range																							
尺寸	10	30	50	70	90	110	130	150	170	190	210	230	250	270	290	310	330	350	370	390	410	430	450
A																(286-319)							
B	(30-40)																						
C											(146)												
D						(75)																	
E				(35-54)																			
F													(297-332)										
G				(41)																			
H				(24)																			

SE系列 Series

压缩机尺寸范围 Compressor Dimension Range																							
尺寸	10	30	50	70	90	110	130	150	170	190	210	230	250	270	290	310	330	350	370	390	410	430	450
A																(342)							
B				(32)																			
C											(140.34)												
D						(89.1)																	
E				(31.25)																			
F													(379.65)										
G				(40)																			
H				(36)																			

SM系列 Series

压缩机尺寸范围 Compressor Dimension Range																							
尺寸	10	30	50	70	90	110	130	150	170	190	210	230	250	270	290	310	330	350	370	390	410	430	450
A													(235-264)										
B				(32)																			
C						(114.03)																	
D					(75)																		
E				(46.3)																			
F													(287.5)										
G				(41)																			
H				(23.8)																			

SB系列 Series

压缩机尺寸范围 Compressor Dimension Range																							
尺寸	10	30	50	70	90	110	130	150	170	190	210	230	250	270	290	310	330	350	370	390	410	430	450
A																(254-276)							
B				(30)																			
C											(119.92)												
D						(89.7)																	
E				(26-47)																			
F													(303-324)										
G				(41)																			
H				(24.3)																			

SB系列 Series

压缩机尺寸范围 Compressor Dimension Range																							
尺寸	10	30	50	70	90	110	130	150	170	190	210	230	250	270	290	310	330	350	370	390	410	430	450
A	(318)																						
B	(30)																						
C	(131.84)																						
D	(75)																						
E	(44.75)																						
F	(356.75)																						
G	(41)																						
H	(29)																						

SF系列 Series

压缩机尺寸范围 Compressor Dimension Range																							
尺寸	10	30	50	70	90	110	130	150	170	190	210	230	250	270	290	310	330	350	370	390	410	430	450
A	(324-357.2)																						
B	(40)																						
C	(146-150)																						
D	(80-90)																						
E	(61-115)																						
F	(303-429)																						
G	(41)																						
H	(24)																						

SH系列 Series

压缩机尺寸范围 Compressor Dimension Range																							
尺寸	10	30	50	70	90	110	130	150	170	190	210	230	250	270	290	310	330	350	370	390	410	430	450
A	(353-358)																						
B	(40)																						
C	(146)																						
D	(89.1)																						
E	(87-115)																						
F	(408-412)																						
G	(41)																						
H	(24)																						

压缩机包装 Packing of Compressor

依据运输要求，分为出口包装和内销包装，分别见下图：
Packings are sorted as export packing and domestic sales packing according to the transport requirements, see the figure at below:

系列代号 Series Code	托盘规格 Pallet Spec. L(mm)xW(mm)	每箱数量 Qty. per Box (台 PC)	每箱高度 Height per Box H(mm)		每箱毛重(kg) Gross Weight per Box (kg)		
P	459x314	8	174	-	-	9	-
P	1170x990	224	878	-	-	315	-
K	1170x990	168	919	-	-	621	50
G	1170x990	126	933	-	993	674	680
N	1170x990	60	833	-	844	458	479
A	1170x990	60	774	-	834	500	638
M	1170x990	60	887	-	905	614	758
"B-L支脚B-L Foot"	1170x990	50	909	-	987	620	720
"B-150mm底板 B-150mm Mounting Plate"	1170x990	60	899	-	927	749	857
C	1170x990	50	885	-	956	755	835
D	1170x990	40	932	-	999	730	754
	1170x990	20	544	-	578	390	402
E	1170x990	40	997	-	1035	802	898
	1170x990	20	577	-	596	426	474
F	1170x990	40	975	-	1137	850	1090
	1170x990	20	566	-	646	450	570
H	1170x990	16	682	-	735	586	658

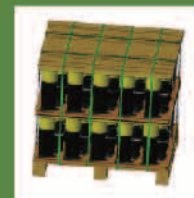
注:1) 不含卧式机型, 增焓机型等。

Note: 1) Horizontal models & Enthalpy-increasing models are not included.

内销包装
Domestic
Sales Packing



出口包装
Export
Packing



压缩机标准附件 Compressor Standard Accessories

标准附件 Standard Accessories	内保护器定速机种 Internal Protector Fixed Speed Model	外保护器定速机种 External Protector Fixed Speed Model	对应变频机种 Corresponding Inverter Model	
			需感温器 With Temp. Sensor	不需感温器 Without Temp. Sensor
端子罩 Terminal Cover		●		●
			●	
				●
端子垫片 Terminal Gasket		●		●
			●	
				●
端子螺母 Terminal Nut	●	●	●	●
外置保护器 External Protector		●		
感温器 Temperature Sensor			●	
橡胶垫 Rubber		●	●	●
		●	●	●

Technical Services 技术服务



多元化高效精品压缩机产品
Diversified and high quality compressors



性能、噪音、应力等整体式解决方案以及系统技术解决方案
Overall solutions for performance, noise, stress, and system



共同开发
Joint development



快速反应的生产供货服务
Rapid supply & delivery service